

Centrifugal pumps

for machine tools and filter systems,
printing and packaging machines,
temperature control units



Quality Management
DIN EN ISO 9001:2008

Environmental Management
DIN EN ISO 14001

Health and Safety Management
OHSAS 18001

www.spandaupumpen.com

**Spandau
pumpen®**

Table of content

A solution for every application	2
Technical information.....	3
PRG	8
PRK	12
PSR	16
PXA	28
PS/PSL.....	36
PMS	44
PSH	56
Order keys for all pumps.....	64

A solution for every application

Main applications

Machine tools / filter systems

Printing machines / packaging machines

Temperature control units

Optical devices

Immersion pumps for slightly contaminated fluids

Designation	Q _{max} [l/min]	H _{max} [m]	Type						Page
PRG	60	32	centrifugal pump			■	■		8
PRK	175	33	centrifugal pump	■	■	■			12
PSR	180	255	centrifugal pump	■		■	■		16
PXA	500	250	centrifugal pump	■		■	■		28
PS	1250	110	centrifugal pump	■					36
PSL	1250	110	centrifugal pump	■					36

Immersion pumps for highly contaminated fluids

Designation	Q _{max} [l/min]	H _{max} [m]	Type						Page
PMS	400	45	centrifugal pump	■					44
PSH	800	55	centrifugal pump	■					56

Technical Information

Electrical specifications

Introduction

The drive motors meet VDE regulations and European motor standards with an electrical voltage tolerance of $\pm 5\%$ (DIN EN 60 034-1) as well as the requirements for the CE mark.

We also provide designs for special operating conditions (e.g., extreme humidity or dust).

Designs are possible that conform to non-European regulations, e.g. CSA, UL or special requirements, e.g. for the USA or Japan.

Protection class (DIN EN 60 034-5/4.88)	IP 54
Temperature class	F
Pole pairs	2-pole
Ambient temperature (DIN EN 60 034-1)	Max. 40°C At max. 1000 above sea level

Electrical parameters*

	50 Hz	60 Hz
$\leq 4 \text{ kW}$	Δ/Y 230/400 V	Δ/Y 265/460 V
$> 4 \text{ kW}$	Δ 400 V	Δ 460 V

* other electrical parameters on request

For connection to 60 Hz, in addition to selection of the corresponding motor winding, the hydraulic properties are adjusted at the factory, for example using smaller impellers.

Switching-on frequency

Spandau pumps are designed for continuous duty. If this is not possible due to the process, the pump's constant flow rate can be attained using a regulating valve, for example.

Motors	Max. duty cycles per hour
$< 3 \text{ kW}$	200
3 to 5.5 kW	40
7.5 to 10 kW	20
$> 10 \text{ kW}$	15

DESINA

(DistributEd and Standardized INstAllation technology for machine tools and production systems) is a complete concept for the standardization of the electrical, hydraulic, and pneumatic installation of automated machine tools and production systems. Spandau pumps are available with DESINA-compliant electrical connections on request.

Efficiency classification as per DIN EN 60034-30

The drive motors meet at least efficiency IE2.

Efficiency	IE code
Super Premium	IE4
Premium	IE3
High	IE2
Standard	IE1
Below Standard	-

Sound pressure specifications

All sound pressure values indicated in the catalog apply to 50 Hz operation. In 60 Hz operation, the values increase by approx. 3 – 4 dBA. On request, axial fans on the motor side are available to reduce noise.

Frequency converters

Pumps with frequency converters achieve up to 70% energy savings in practice. The controlled speed regulation ensures an effective delivery rate and utilization with lower heat input into the overall system. This reduces the required cooling effort.

A pump with an integrated frequency converter improves the process flows of machines and systems:

- Optimized adaptation to the respective machining process due to speed regulation
- Gentle start-up due to programmable ramp-up time
- Low level of wear on rotating components
- Low-noise operation

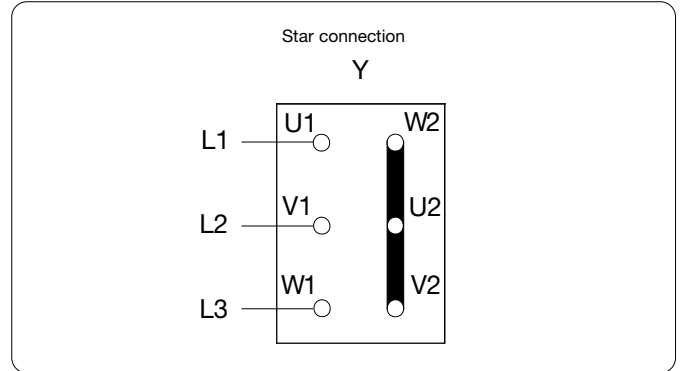
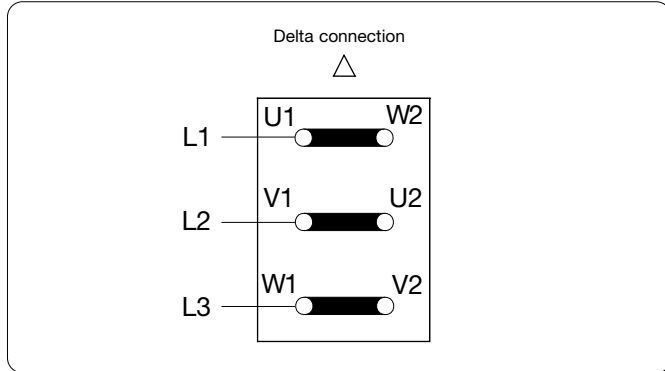
Keep the entire machining process under control with a single frequency-controlled pump:

- Delivery rate can be adjusted precisely to the respective power requirements
- Universal controllability of pump speeds through all pressure ranges

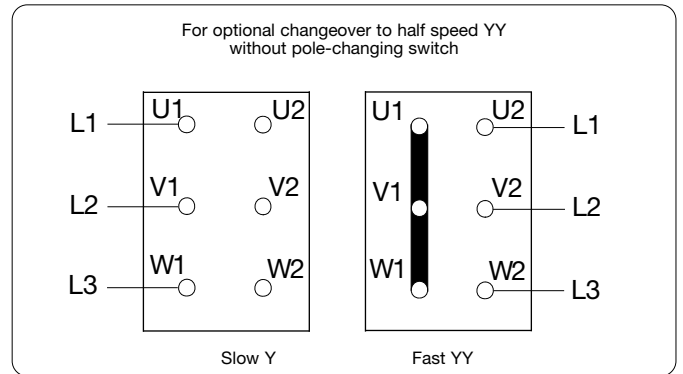
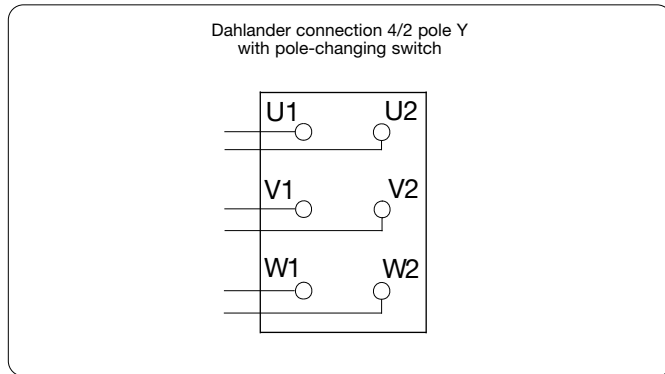
Technical Information

Electrical specifications

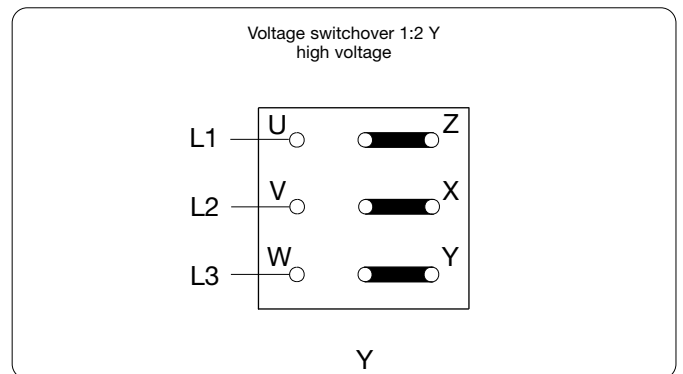
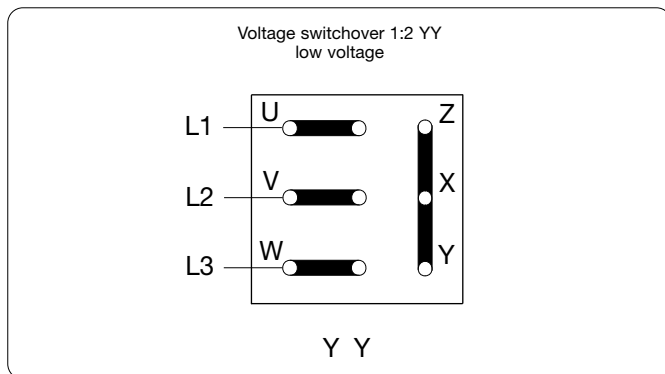
Star-delta connection



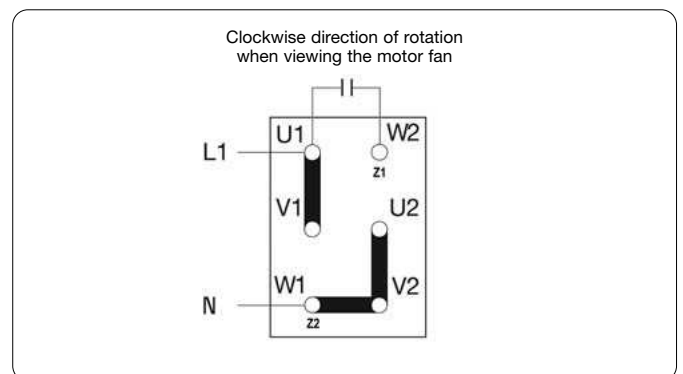
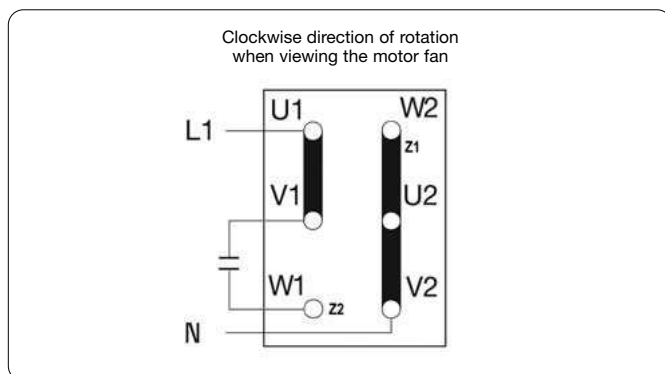
Speed switch



Voltage switchover



Steinmetz-connection



Technical Information

Electrical specifications

Site altitude and ambient temperature

The following tables show the permissible temperature limits based on a coolant temperature of 40°C and a site altitude up to 1000 m above sea level (measured with the resistance method) and maximum temperatures according to DIN EN 60 034-1 assigned to temperature class F.

Temperature class	Winding temperature [°C]		Max. temperature [°C]
	< 600 W	> 600 W	
F	110	105	155

Reduced rated motor performance results if the relevant ambient conditions deviate from the design point, e.g., ambient temperature above 40°C or site altitude above 1000 m above sea level. Deviations in the ambient conditions must be indicated when ordering.

Reduced performance at ambient temperature above 40°C

Ambient temperature [°C] (site altitude up to 1000 m above sea level)	Performance [%P _N]
45	95
50	90
55	88
60	80

Reduced performance at altitude over 1000 m above sea level

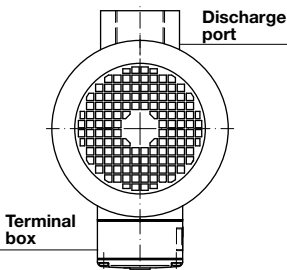
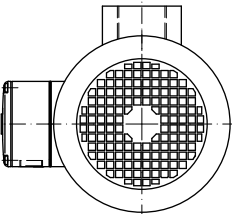
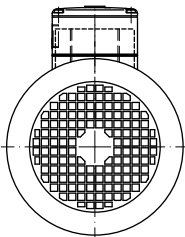
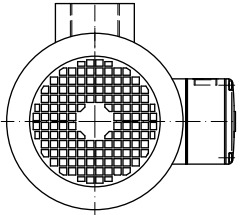
Site altitude [m] (40°C ambient temperature)	Performance [%P _N]
2000	94
3000	86
4000	78

Overload capacity

At a normal operating temperature, under DIN EN 60 034-1/11/95 1.5 times the rated current over a period of 15 seconds is permissible at rated voltage and rated current.

Terminal box positions

The position of the terminal box is specified according to DIN EN 12157 and can be selected from the four layouts depicted below.

Pos.	Layout	Note
1		Terminal box position 1: Standard design* Terminal box opposite the discharge port
2		Terminal box position 2: Terminal box left of discharge port
3		Terminal box position 3: Terminal box above discharge port
4		Terminal box position 4: Terminal box right of discharge port

* Please indicate desired position of terminal box when ordering!

Varnishing

Standard: RAL 9005 (black, satin)

Technical Information

Installation and operation

Centrifugal pumps

The standard design is suitable for vertical installation in the reservoir.

Spandau immersion pumps can be adapted to various installation conditions by incorporating blind chambers or by adding a pipe extension.

When switching on the pump, the minimum fluid level must be above the lowest pump chamber (1).

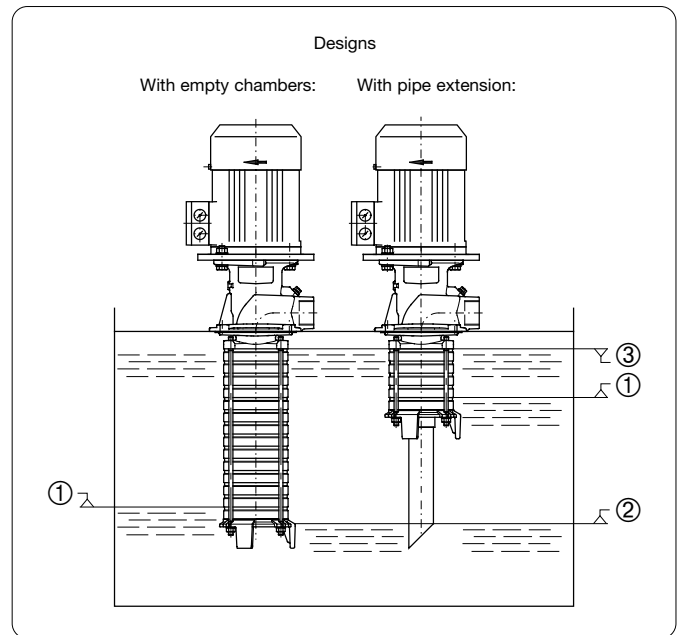
The pump then feeds up to the intake opening in the chamber or pipe (2). See the type-specific pump drawings in manuals for the highest permissible fluid level (3).

Note: All devices are only to be installed or mounted by a qualified person. The existing safety measures are to be taken into consideration. Please refer to our operating instructions to avoid errors.

Dry running

The pump must not be put into operation without fluid for pumping. An incorrect direction of rotation and/or dry running can damage the pump. When pumping, the unit can operate without fluid for short periods and under certain circumstances.

A minimum volumetric flow of 5 to 10% of the nominal delivery rate must be ensured.



PRG – Immersion pumps, sealless

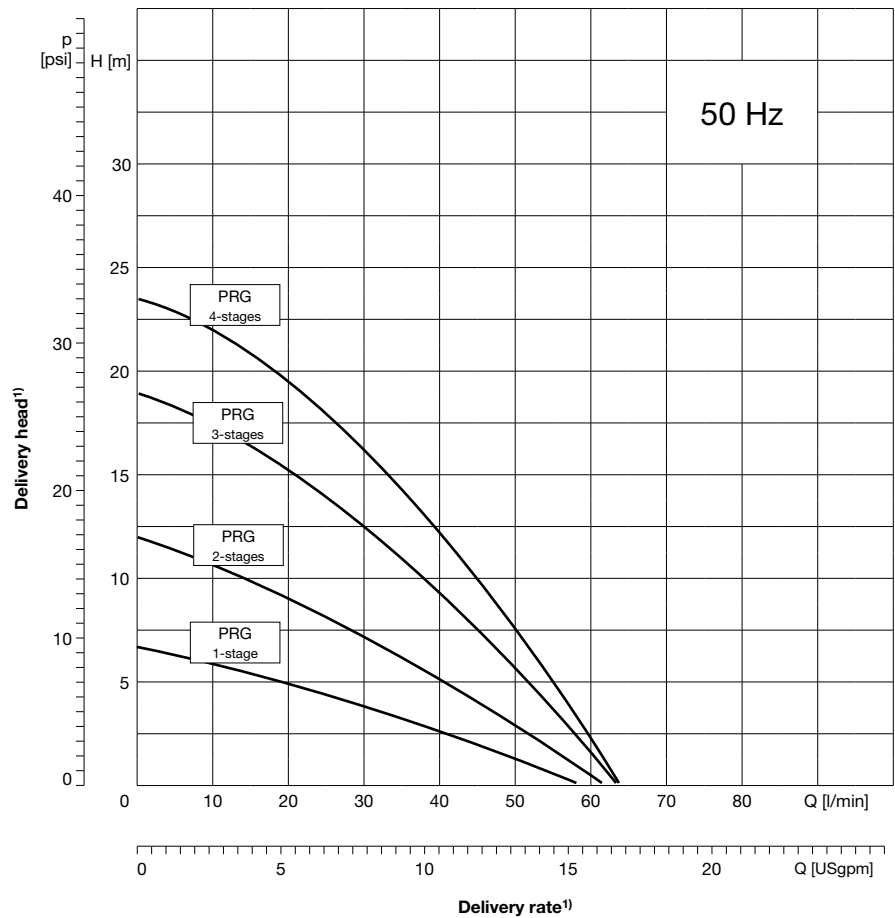
50 Hz, closed impellers



PRG

Features

- One or multi-stages centrifugal pump
- For delivery of slightly contaminated types of fluids
- Installation directly and vertically into the reservoir
- Pressure port is located above the reservoir plate and designed with internal thread G1 1/4



Technical Data

Delivery rate Q_{max}	62 l/min
Delivery head H_{max}	23 m
Immersion depth t_{max}	320 mm
Immersion depth	max. 20 mm ² /s
Delivery temperature	-20 °C to +60 °C
Grain size	max. Ø0,3 mm
Contamination	max. 50 g/m ³
Direction of rotation	clockwise (as viewed looking down on the motor's ventilation side)
Fluids delivered	Water, emulsions (synthetic / mineral oil), also with chemical additives, distilled water deionization, ized water, photographic solutions

Mechanical design

Component	Material
Flange	POM / GF
Shaft	1.4122
Impeller	PEI / GF
Intermediate chamber	POM / GF
Pumps bottom	POM / GF
Bushing	PTFE graphite

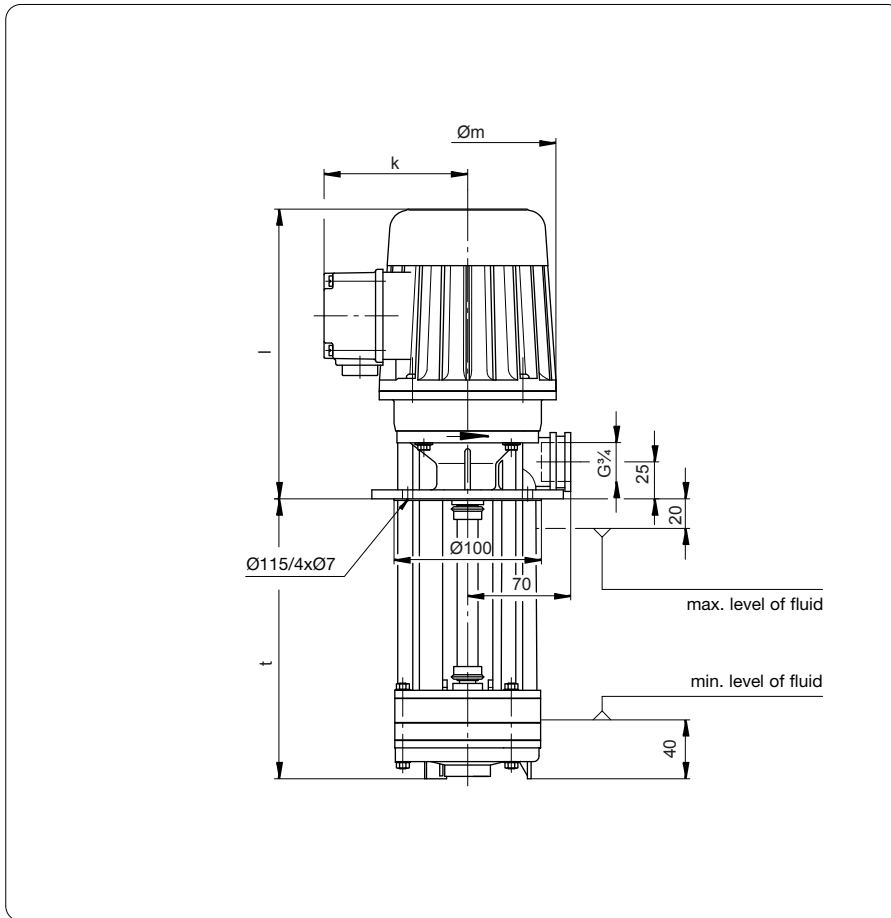
Variations

Component	Material
Mixing paddle	plastic

¹⁾ Data for viscosity of ~1 mm²/s at a density of ~1 kg/dm³. Minimum volumetric flow: 5 to 10 % of nominal delivery rate.

PRG – Immersion pumps, sealless

50 Hz, closed impellers



Electrical data, dimensions and weights at 50 Hz

Type of pump			Immer- sion depth t [mm]	Rated motor values					Dimensions [mm]			Weight [kg]	Sonic pressure [dBA]	Pressure port (DIN ISO 228)
Series	Frame size	Stages		Voltage Δ/Y U [V]	Motor index	Output P_N [kW]	Current $\Delta/Y I_N$ [A]	Speed n_N [min ⁻¹]	$\varnothing m$	k	l			
PRG	06	01	120	230/400	A	0,09	0,46/0,26	2618	96	89	173	2,8 – 3,1	44	G $\frac{3}{4}$
			140											
			170											
			220											
		02	140	230/400	B	0,12	0,71/0,41	2637	96	89	173	2,9 – 3,3	45	G $\frac{3}{4}$
			160											
			190											
			240											
	03	170	230/400	C	0,18	0,86/0,50	2812	120	99	197	4,5 – 4,9	48	G $\frac{3}{4}$	
		190												
		220												
		270												
	04	200	230/400	E	0,37	1,72/1,00	2667	120	99	197	4,8 – 5,0	49	G $\frac{3}{4}$	
		220												
		250												
		300												

PRG

PRG – Immersion pumps, sealless

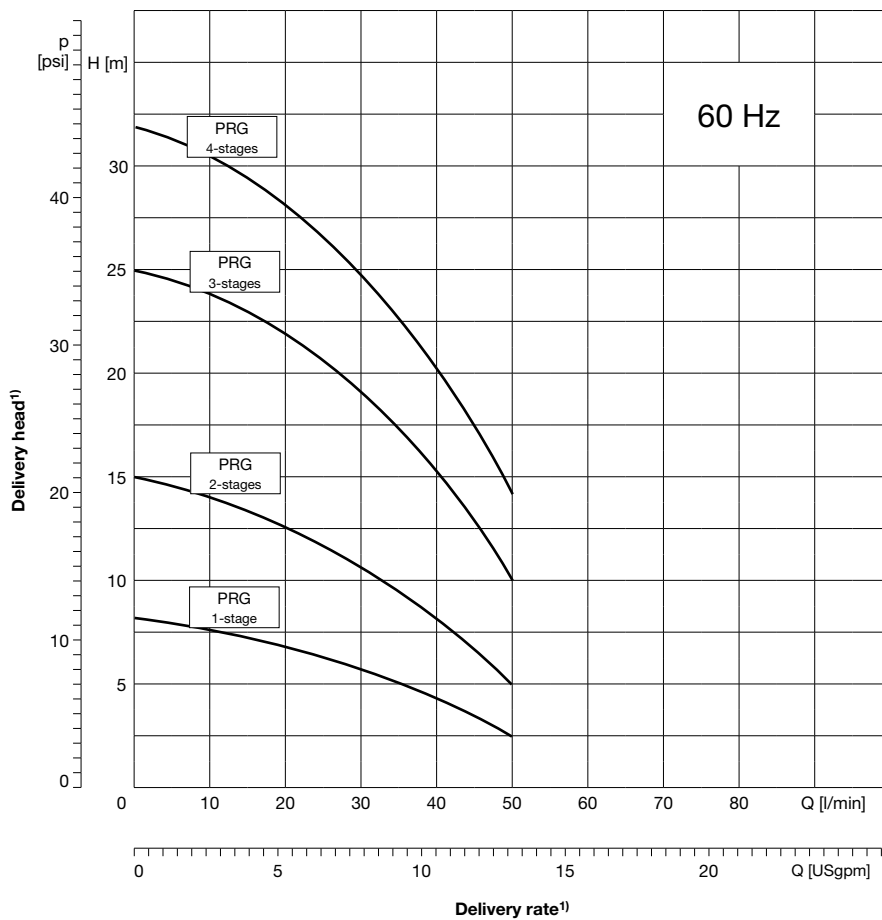
60 Hz, closed impellers

PRG



Features

- One or multi-stages centrifugal pump
- For delivery of slightly contaminated types of fluids
- Installation directly and vertically into the reservoir
- Pressure port is located above the reservoir plate and designed with internal thread G1 1/4



Technical Data

Delivery rate Q_{max}	50 l/min
Delivery head H_{max}	32 m
Immersion depth t_{max}	320 mm
Immersion depth	max. 20 mm ² /s
Delivery temperature	-20 °C to +60 °C
Grain size	max. Ø0,3 mm
Contamination	max. 50 g/m ³
Direction of rotation	clockwise (as viewed looking down on the motor's ventilation side)
Fluids delivered	Water, emulsions (synthetic / mineral oil), also with chemical additives, distilled water deionization, ized water, photographic solutions

Mechanical design

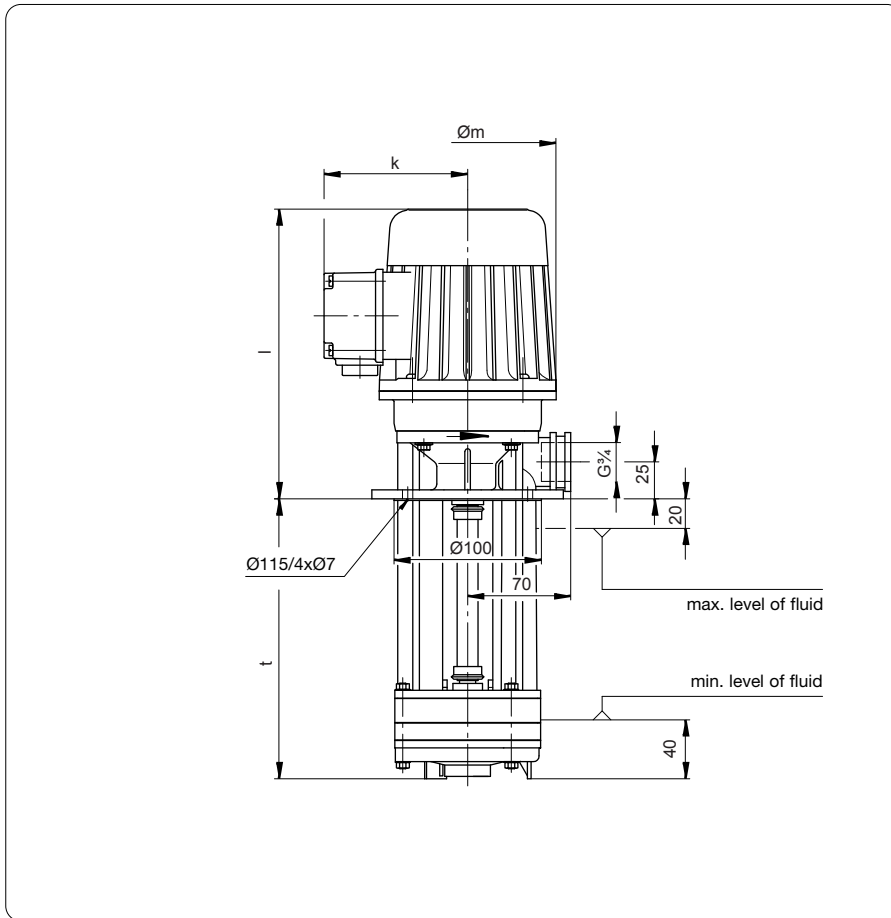
Component	Material
Flange	POM / GF
Shaft	1.4122
Impeller	PEI / GF
Intermediate chamber	POM / GF
Pumps bottom	POM / GF
Bushing	PTFE graphite

Variations

Component	Material
Mixing paddle	plastic

¹⁾ Data for viscosity of ~1 mm²/s at a density of ~1 kg/dm³. Minimum volumetric flow: 5 to 10 % of nominal delivery rate.

PRG – Immersion pumps, sealless
60 Hz, closed impellers



Electrical data, dimensions and weights at 60 Hz

Type of pump			Immer- sion depth t [mm]	Rated motor values					Dimensions [mm]			Weight [kg]	Sonic pressure [dBA]	Pressure port (DIN ISO 228)
Series	Frame size	Stages		Voltage Δ/Y U [V]	Motor index	Output P_N [kW]	Current Δ/Y I_N [A]	Speed n_N [min ⁻¹]	$\varnothing m$	k	l			
PRG	06	01	120	265/460	A	0,10	0,46/0,26	3257	96	89	173	2,8 – 3,1	45	G $\frac{3}{4}$
			140											
			170											
			220											
			270											
		02	140	265/460	B	0,14	0,71/0,41	3274	96	89	173	2,9 – 3,3	46	G $\frac{3}{4}$
			160											
			190											
			240											
		03	170	265/460	C	0,21	0,86/0,50	3437	120	99	197	4,5 – 4,9	50	G $\frac{3}{4}$
			190											
			220											
			270											
			320											
		04	200	265/460	E	0,42	1,72/1,00	3329	120	99	197	4,8 – 5,0	51	G $\frac{3}{4}$
			220											
250														
300														

PRG

PRK – Immersion pumps, hydrostatic sealing

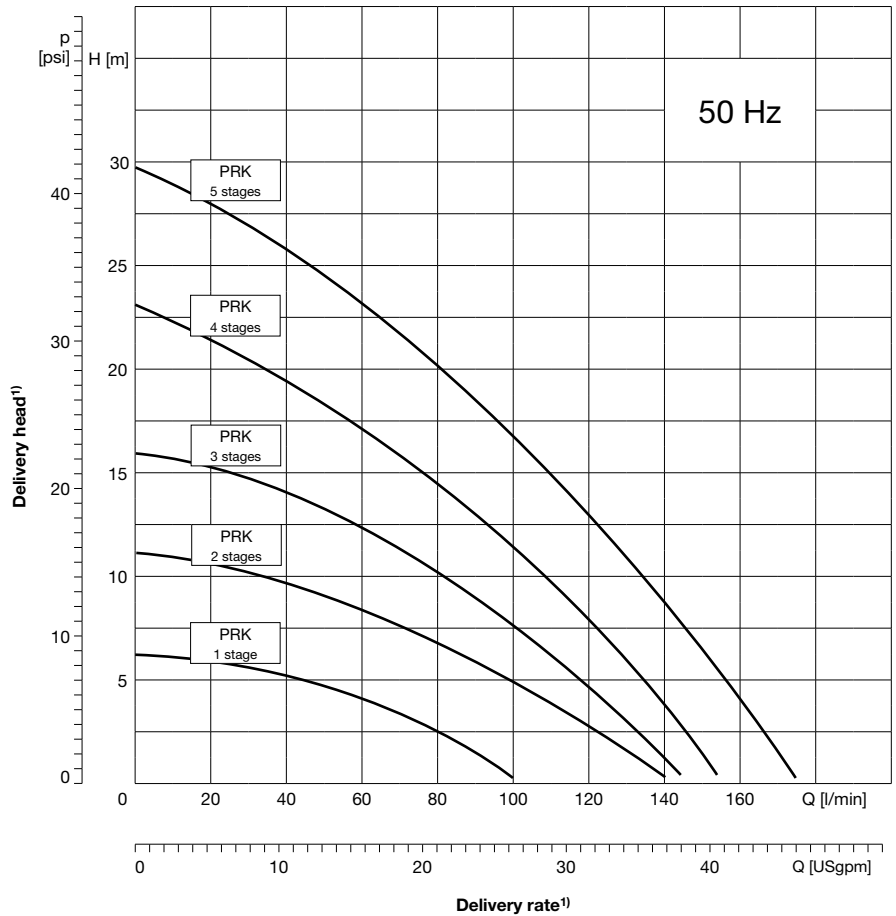
50 Hz, open impellers



PRK

Features

- Vertical multistage pump, hydrostatic sealing
- For delivery of slightly contaminated types of fluids
- Installation directly into the reservoir
- Pressure port is located above the reservoir plate and designed with internal thread G3/4
- Wide range of immersion depths 90-410 mm



Technical data

Delivery rate Q_{max}	175 l/min
Delivery head H_{max}	29 m
Immersion depth t_{max}	375 mm
Kinematic viscosity	max. 20 mm ² /s
Delivery temperature	+5 °C to +60 °C
Grain size	max. Ø3 mm
Contamination	max. 50 g/m ³
Direction of rotation	anti-clockwise (as viewed looking down on the motor's ventilation side)
Fluids delivered	Emulsions, cooling and cutting oils, cleaning liquids, water, mild acids

Mechanical design

Component	Material
Flange	POM
Base	PPS
Shaft	Stainless steel 1.4122
Impeller	POM
Diffuser	PP
Intermediate chamber	PPS
Bearings	Deep groove ball bearing with covering disk
Pumps bottom	PP
Elastomers	NBR

Variations

Component	Material
Intake strainer	Stainless steel 1.4301
Extension tube	PP

¹⁾ Data for viscosity of ~1 mm²/s at a density of ~1 kg/dm³. Minimum volumetric flow: 5 to 10 % of nominal delivery rate.

PRK – Immersion pumps, hydrostatic sealing

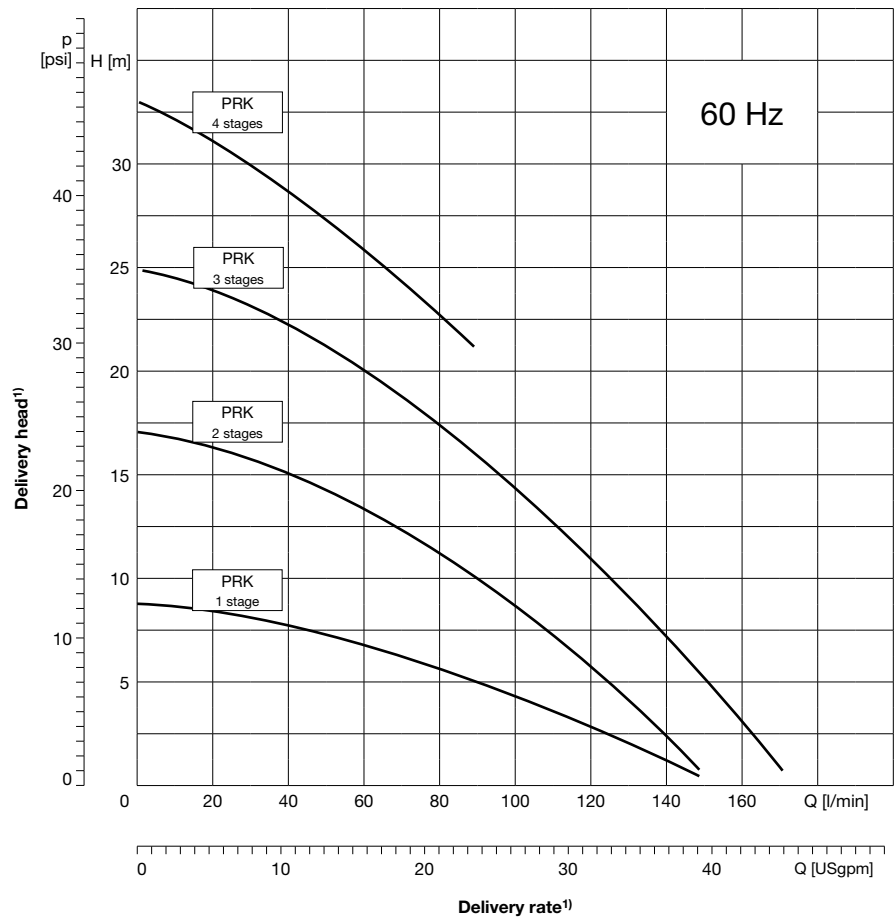
60 Hz, open impellers



PRK

Features

- Vertical multistage pump, hydrostatic sealing
- For delivery of slightly contaminated types of fluids
- Installation directly into the reservoir
- Pressure port is located above the reservoir plate and designed with internal thread G3/4
- Wide range of immersion depths 90-410 mm



Technical data

Delivery rate Q_{max}	170 l/min
Delivery head H_{max}	33 m
Immersion depth t_{max}	375 mm
Kinematic viscosity	max. 20 mm ² /s
Delivery temperature	+5 °C to +60 °C
Grain size	max. Ø3 mm
Contamination	max. 50 g/m ³
Direction of rotation	anti-clockwise (as viewed looking down on the motor's ventilation side)
Fluids delivered	Emulsions, cooling and cutting oils, cleaning liquids, water, mild acids

Mechanical design

Component	Material
Flange	POM
Base	PPS
Shaft	Stainless steel 1.4122
Impeller	POM
Diffuser	PP
Intermediate chamber	PPS
Bearings	Deep groove ball bearing with covering disk
Pumps bottom	PP
Elastomers	NBR

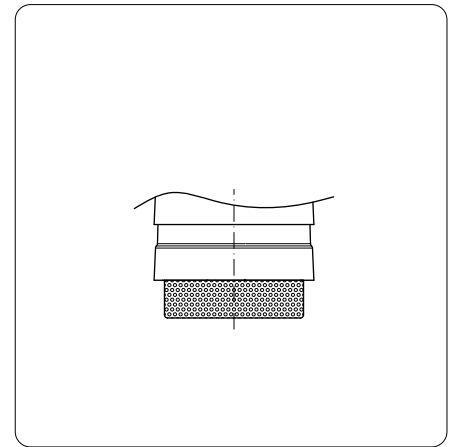
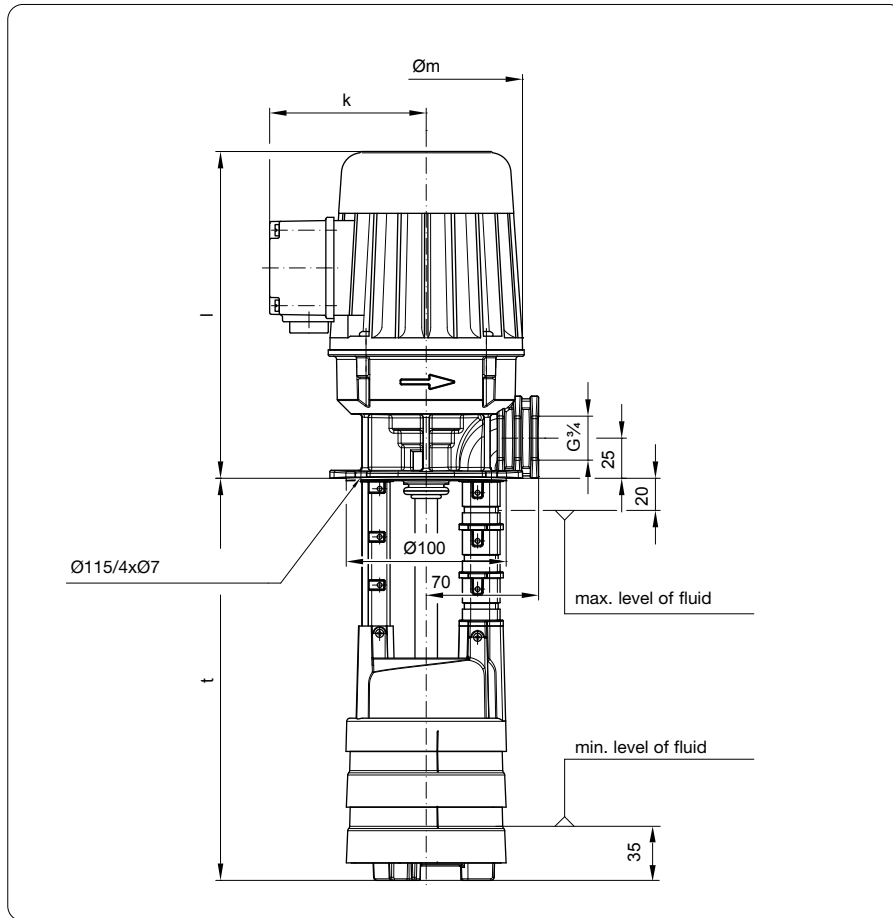
Variations

Component	Material
Intake strainer	Stainless steel 1.4301
Extension tube	PP

¹⁾ Data for viscosity of ~1 mm²/s at a density of ~1 kg/dm³. Minimum volumetric flow: 5 to 10 % of nominal delivery rate.

PRK – Immersion pumps, hydrostatic sealing

60 Hz, open impellers



PRK

Electrical data, dimensions and weights at 60 Hz

Type of pump			Immersion depth t [mm]	Rated motor values					Dimensions [mm]			Weight [kg]	Sonic pressure [dBA]	Pressure port series (DIN ISO 228)
Series	Frame size	Stages		Voltage Δ/Y U [V]	Motor index	Output P_N [kW]	Current Δ/Y I_N [A]	Speed n_N [min ⁻¹]	$\varnothing m$	k	l			
PRK	03	01	90	265/460	E	0,42	1,72/1,00	3329	122	99	204	4,0 – 4,4	48	G $\frac{3}{4}$
			120											
			150											
			180											
			210											
			240											
		270												
		02	125	265/460	F	0,62	2,06/1,19	3446	122	99	204	4,2 – 4,6	52	G $\frac{3}{4}$
			155											
			185											
	215													
	03	245	265/460	G	0,73	2,56/1,48	3410	140	114	283	7,9 – 8,3	54	G $\frac{3}{4}$	
		275												
		305												
		160												
		190												
		220												
	04	250	265/460	H	1,26	4,07/2,35	3368	140	114	283	8,1 – 8,5	58	G $\frac{3}{4}$	
		280												
		310												
340														
195														
225														
255														
285														
315														
345														
375														

PSR 02 – Immersion pumps, sealless

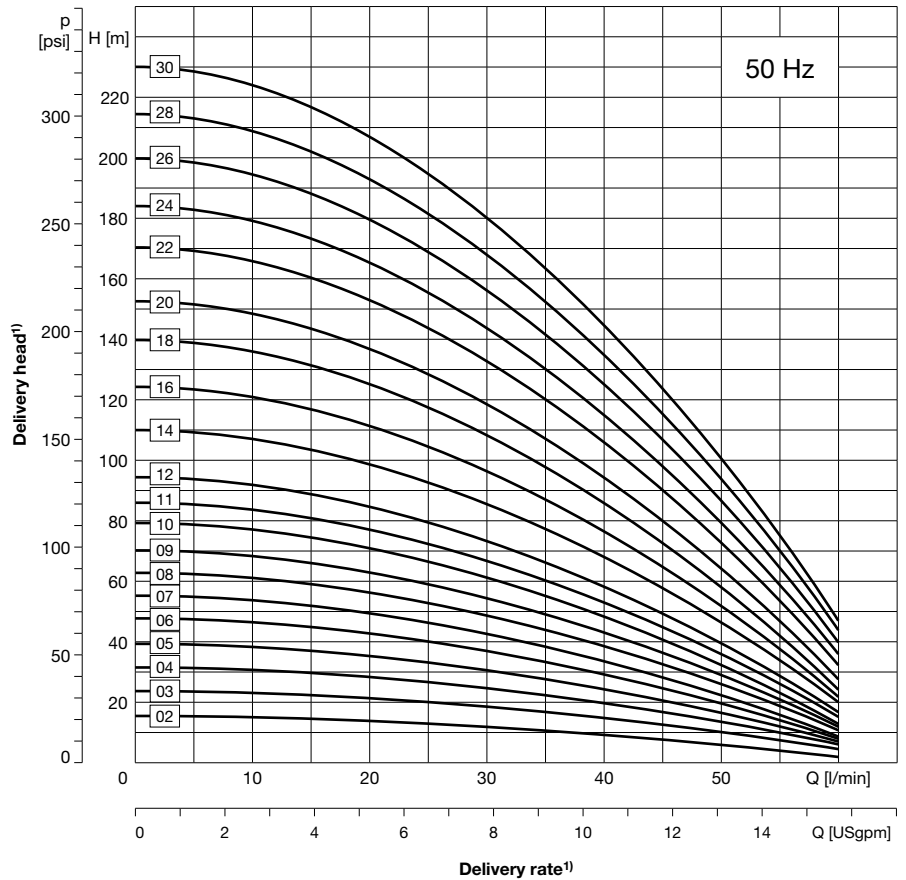
50 Hz, closed impellers



PSR

Features

- Vertical multistage coolant pump
- Connector dimensions as per DIN EN 12157
- For delivery of slightly contaminated types of fluids
- Installation directly into the reservoir
- Pressure port is located above the reservoir plate and designed with internal thread G1 1/4



Technical Data

Delivery rate Q_{max}	60 l/min
Delivery head H_{max}	230 m
Immersion depth t_{max}	739 mm
Kinematic viscosity	max. 20 mm ² /s
Delivery temperature	-10 °C to +80 °C
Grain size	max. Ø2 mm
Contamination	max. 50 g/m ³
Direction of rotation	clockwise (as viewed looking down on the motor's ventilation side)
Fluids delivered	Emulsions, cooling and cutting oils, cleaning liquids, water, mild acids

Mechanical design

Component	Material
Flange	EN-GJL-200
Shaft	Stainless steel 1.4122
Gap bush ($H_{max} < 150$ m)	POM
Mechanical seal ($H_{max} > 150$ m)	WC, carbon, FKM, stainless steel 1.4571
Impeller	Stainless steel 1.4301
Intermediate chamber	Stainless steel 1.4301
Tension anchor	Stainless steel 1.4057
Bushing	Stainless steel 1.4301
Pumps bottom	EN-GJL-200
Elastomers	FPM

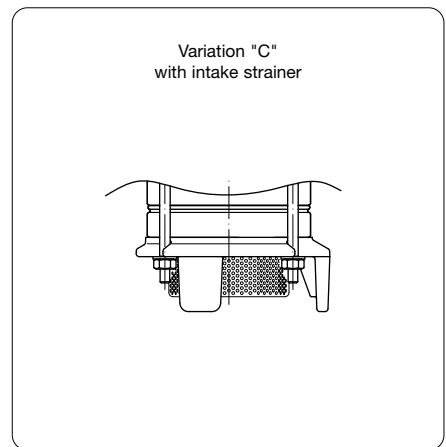
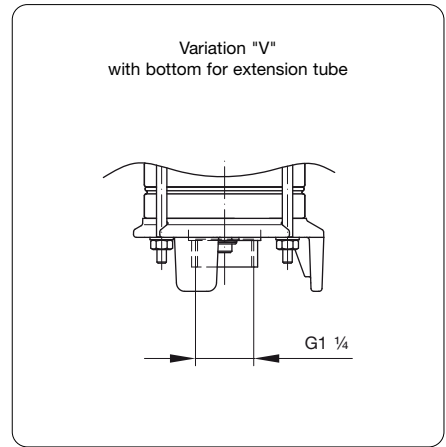
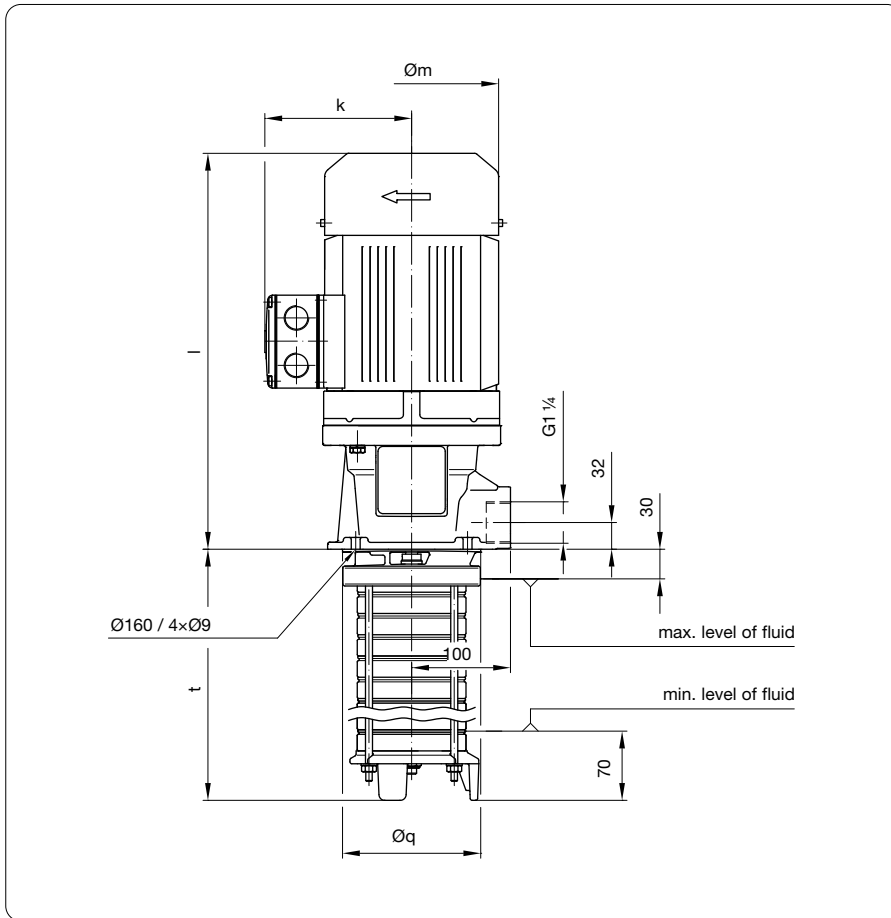
Variations

Component	Material
Flange	with chemical surface sealing or coated with paint
Bottom for extension tube	Stainless steel 1.4301
Intake strainer	Stainless steel 1.4301
Pumps bottom	Stainless steel 1.4308

¹⁾ Data for viscosity of ~1 mm²/s at a density of ~1 kg/dm³. Minimum volumetric flow: 5 to 10 % of nominal delivery rate.

PSR 02 – Immersion pumps, sealless

50 Hz, closed impellers



PSR

Electrical data, dimensions and weights at 50 Hz

Type of pump			Immer- sion depth t [mm]	Rated motor values				Dimensions [mm]				Weight [kg]	Sonic pressure [dBA]	Pressure port (DIN ISO 228)	
Series	Frame size	Stages		Voltage Δ/Y U [V]	Motor index	Output P_N [kW]	Current Δ/Y I_N [A]	Speed n_N [min ⁻¹]	$\varnothing m$	k	l				$\varnothing q$
PSR	02	02	137	230/400	E	0,37	1,57/0,91	2902	140	114	223	140	13,1	58	G1 ^{1/4}
		03	158										13,4		
		04	180										13,7		
		05	201										14,0		
		06	223										14,4		
		07	244										14,8		
		08	266		15,1	58									
		09	287		15,3										
		10	309		15,7										
		11	330		16,0	58									
		12	352		16,3										
		14	395		16,6										
		16	438		28,2										
		18	481		28,5	60									
		20	524		28,8										
		22	567		35,4	60									
24	610	36,2													
26	653	36,8													
28	696	37,3													
30	739	37,7	67												

PSR 02 – Immersion pumps, sealless

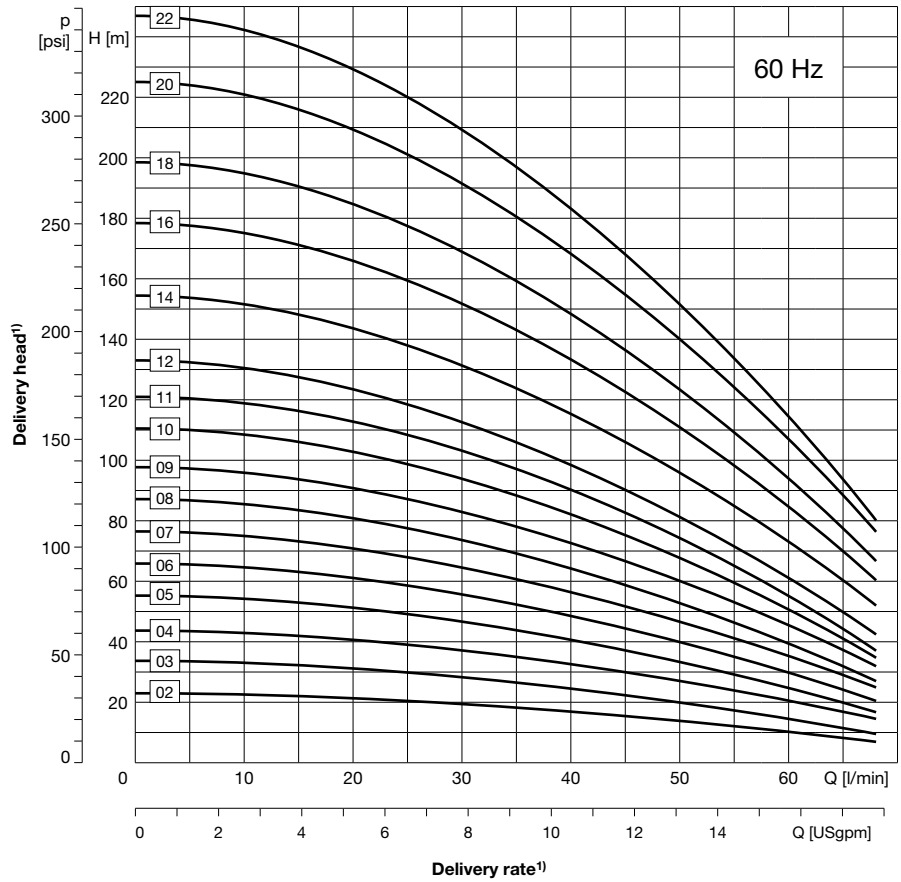
60 Hz, closed impellers



PSR

Features

- Vertical multistage coolant pump
- Connector dimensions as per DIN EN 12157
- For delivery of slightly contaminated types of fluids
- Installation directly into the reservoir
- Pressure port is located above the reservoir plate and designed with internal thread G1 1/4



Technical Data

Delivery rate Q_{max}	68 l/min
Delivery head H_{max}	245 m
Immersion depth t_{max}	567 mm
Kinematic viscosity	max. 20 mm ² /s
Delivery temperature	-10 °C to +80 °C
Grain size	max. Ø2 mm
Contamination	max. 50 g/m ³
Direction of rotation	clockwise (as viewed looking down on the motor's ventilation side)
Fluids delivered	Emulsions, cooling and cutting oils, cleaning liquids, water, mild acids

Mechanical design

Component	Material
Flange	EN-GJL-200
Shaft	Stainless steel 1.4122
Gap bush ($H_{max} < 150$ m)	POM
Mechanical seal ($H_{max} > 150$ m)	WC, carbon, FKM, stainless steel 1.4571
Impeller	Stainless steel 1.4301
Intermediate chamber	Stainless steel 1.4301
Tension anchor	Stainless steel 1.4057
Bushing	Stainless steel 1.4301
Pumps bottom	EN-GJL-200
Elastomers	FPM

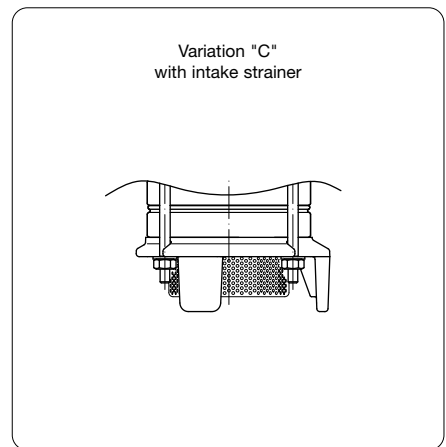
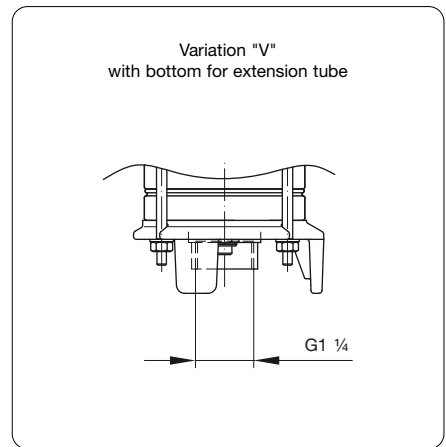
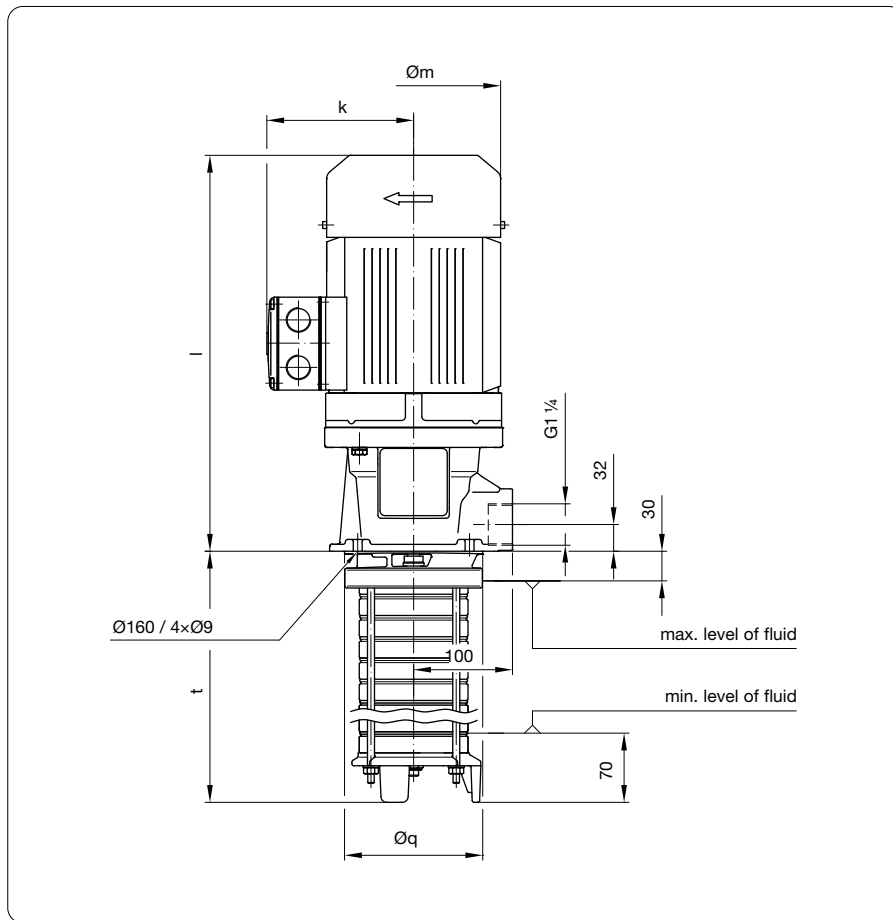
Variations

Component	Material
Flange	with chemical surface sealing or coated with paint
Bottom for extension tube	Stainless steel 1.4301
Intake strainer	Stainless steel 1.4301
Pumps bottom	Stainless steel 1.4308

¹⁾ Data for viscosity of ~1 mm²/s at a density of ~1 kg/dm³. Minimum volumetric flow: 5 to 10 % of nominal delivery rate.

PSR 02 – Immersion pumps, sealless

60 Hz, closed impellers



PSR

Electrical data, dimensions and weights at 60 Hz

Type of pump			Immer- sion depth t [mm]	Rated motor values				Dimensions [mm]				Weight [kg]	Sonic pressure [dBA]	Pressure port (DIN ISO 228)	
Series	Frame size	Stages		Voltage Δ/Y U [V]	Motor index	Output P _N [kW]	Current Δ/Y I _N [A]	Speed n _N [min ⁻¹]	Øm	k	l				Øq
PSR	02	02	137	265/460	E	0,42	1,57/0,91	3502	140	114	223	140	13,1	60	G1¼
		03	158										13,4		
		04	180		F	0,62	2,06/1,19	3446	140	114	223	140	13,7		
		05	201										14,0		
		06	223		G	0,73	2,56/1,48	3410	140	114	223	140	14,4		
		07	244										14,8		
		08	266		H	1,26	4,07/2,35	3368	140	114	223	140	15,1		
		09	287										15,5		
		10	309		J	1,8	5,0/2,9	3460	176	149	406	140	27,1		
		11	330										27,4		
		12	352		K	2,6	7,5/4,3	3400	176	149	406	140	27,7		
		14	395										34,3		
		16	438		L	3,6	10,1/5,82	3500	196	155	427	140	34,9		
		18	481										35,1		
20	524	37,7													
22	567	38,3	70												



PSR 04 – Immersion pumps, sealless

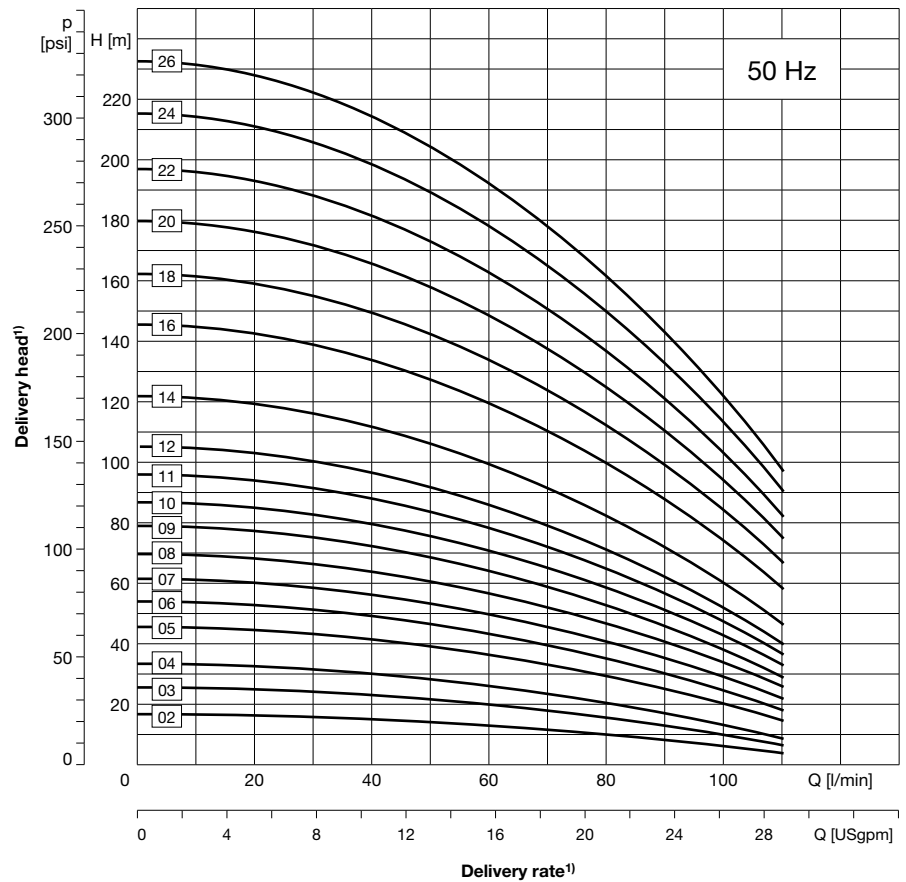
50 Hz, closed impellers



PSR

Features

- Vertical multistage coolant pump
- Connector dimensions as per DIN EN 12157
- For delivery of slightly contaminated types of fluids
- Installation directly into the reservoir
- Pressure port is located above the reservoir plate and designed with internal thread G1 1/4



Technical Data

Delivery rate Q_{max}	110 l/min
Delivery head H_{max}	232 m
Immersion depth t_{max}	653 mm
Kinematic viscosity	max. 20 mm ² /s
Delivery temperature	-10 °C to +80 °C
Grain size	max. Ø2 mm
Contamination	max. 50 g/m ³
Direction of rotation	clockwise (as viewed looking down on the motor's ventilation side)
Fluids delivered	Emulsions, cooling and cutting oils, cleaning liquids, water, mild acids

Mechanical design

Component	Material
Flange	EN-GJL-200
Shaft	Stainless steel 1.4122
Gap bush ($H_{max} < 150$ m)	POM
Mechanical seal ($H_{max} > 150$ m)	WC, carbon, FKM, stainless steel 1.4571
Impeller	Stainless steel 1.4301
Intermediate chamber	Stainless steel 1.4301
Tension anchor	Stainless steel 1.4057
Bushing	Stainless steel 1.4301
Pumps bottom	EN-GJL-200
Elastomers	FPM

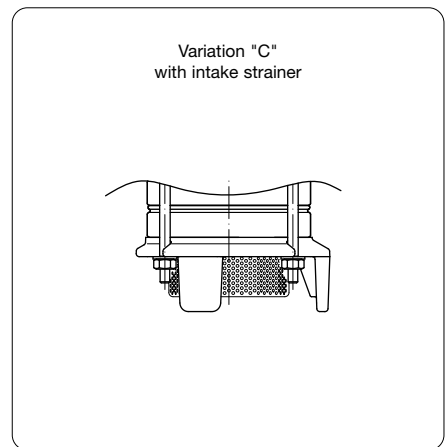
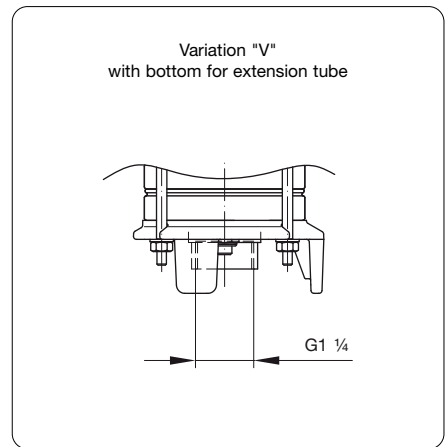
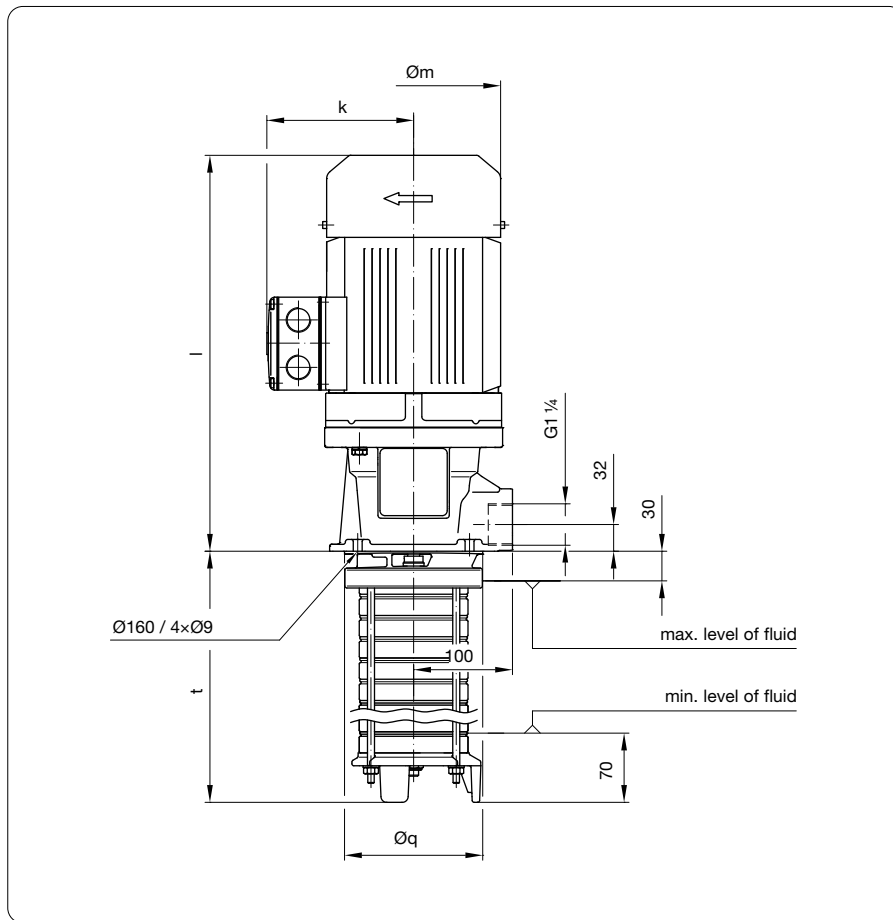
Variations

Component	Material
Flange	with chemical surface sealing or coated with paint
Bottom for extension tube	Stainless steel 1.4301
Intake strainer	Stainless steel 1.4301
Pumps bottom	Stainless steel 1.4308

¹⁾ Data for viscosity of ~1 mm²/s at a density of ~1 kg/dm³. Minimum volumetric flow: 5 to 10 % of nominal delivery rate.

PSR 04 – Immersion pumps, sealless

50 Hz, closed impellers



PSR

Electrical data, dimensions and weights at 50 Hz

Type of pump			Immer- sion depth t [mm]	Rated motor values				Dimensions [mm]				Weight [kg]	Sonic pressure [dBA]	Pressure port (DIN ISO 228)	
Series	Frame size	Stages		Voltage Δ/Y U [V]	Motor index	Output P_N [kW]	Current $\Delta/Y I_N$ [A]	Speed n_N [min ⁻¹]	$\varnothing m$	k	l				$\varnothing q$
PSR	04	02	137	230/400	E	0,37	1,57/0,91	2902	140	114	223	140	13,1	G1 1/4	
		03	158		F	0,55	2,06/1,19	2836	140	114	223	140	13,4		
		04	180		G	0,63	2,56/1,48	2870	140	114	223	140	13,7		
		05	201		H	1,1	4,07/2,35	2730	140	114	223	140	14,0		
		06	223			14,7									
		07	244			15,0									
		08	266			15,3									
		09	287		J	1,5	4,95/2,86	2850	176	149	406	140	28,5		60
		10	309			28,8									
		11	330		K	2,2	7,15/4,13	2840	176	149	406	140	32,7		60
		12	352										33,0		
		14	395										33,6		
		16	438										36,2		
		18	481		L	3,0	10,0/5,75	2885	196	155	427	140	36,8		67
20	524	37,4													
22	567	M	4,0	13,0/7,5	2880	196	155	447	140	44,0	69				
24	610									44,6					
26	653									45,2					



PSR 04 – Immersion pumps, sealless

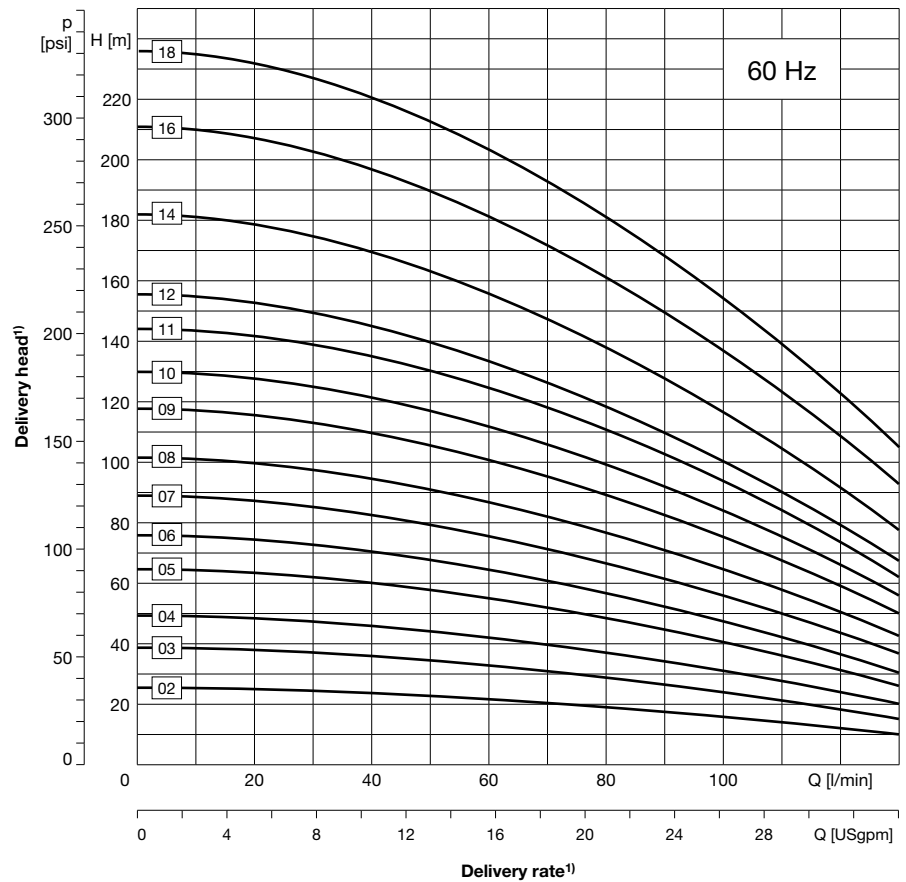
60 Hz, closed impellers



PSR

Features

- Vertical multistage coolant pump
- Connector dimensions as per DIN EN 12157
- For delivery of slightly contaminated types of fluids
- Installation directly into the reservoir
- Pressure port is located above the reservoir plate and designed with internal thread G1 1/4



Technical Data

Delivery rate Q_{max}	130 l/min
Delivery head H_{max}	238 m
Immersion depth t_{max}	481 mm
Kinematic viscosity	max. 20 mm ² /s
Delivery temperature	-10 °C to +80 °C
Grain size	max. Ø2 mm
Contamination	max. 50 g/m ³
Direction of rotation	clockwise (as viewed looking down on the motor's ventilation side)
Fluids delivered	Emulsions, cooling and cutting oils, cleaning liquids, water, mild acids

Mechanical design

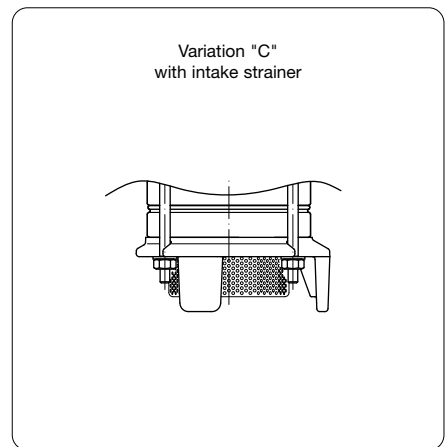
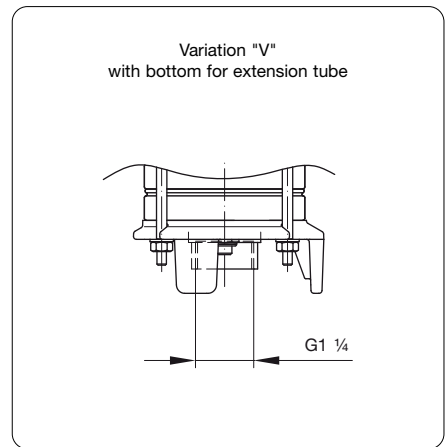
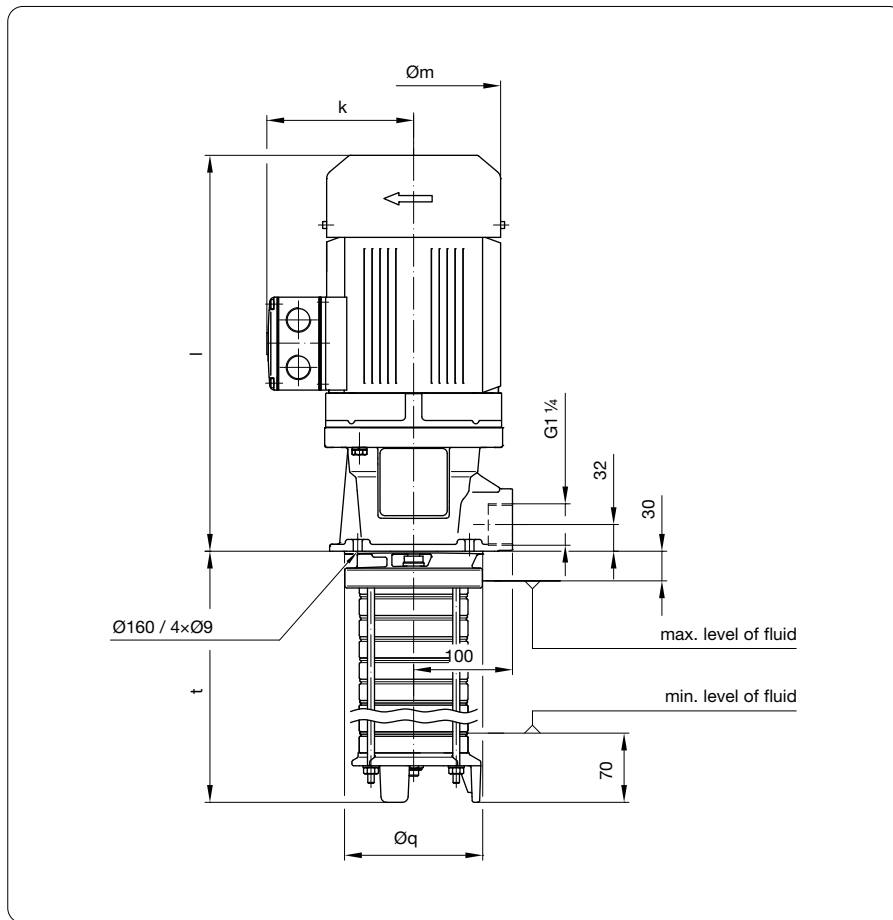
Component	Material
Flange	EN-GJL-200
Shaft	Stainless steel 1.4122
Gap bush ($H_{max} < 150$ m)	POM
Mechanical seal ($H_{max} > 150$ m)	WC, carbon, FKM, stainless steel 1.4571
Impeller	Stainless steel 1.4301
Intermediate chamber	Stainless steel 1.4301
Tension anchor	Stainless steel 1.4057
Bushing	Stainless steel 1.4301
Pumps bottom	EN-GJL-200
Elastomers	FPM

Variations

Component	Material
Flange	with chemical surface sealing or coated with paint
Bottom for extension tube	Stainless steel 1.4301
Intake strainer	Stainless steel 1.4301
Pumps bottom	Stainless steel 1.4308

¹⁾ Data for viscosity of ~1 mm²/s at a density of ~1 kg/dm³. Minimum volumetric flow: 5 to 10 % of nominal delivery rate.

PSR 04 – Immersion pumps, sealless 60 Hz, closed impellers



PSR

Electrical data, dimensions and weights at 60 Hz

Type of pump			Immer- sion depth t [mm]	Rated motor values				Dimensions [mm]				Weight [kg]	Sonic pressure [dBA]	Pressure port (DIN ISO 228)			
Series	Frame size	Stages		Voltage Δ/Y U [V]	Motor index	Output P _N [kW]	Current Δ/Y I _N [A]	Speed n _N [min ⁻¹]	Øm	k	l				Øq		
PSR	04	02	137	265/460	F	0,62	2,06/1,19	3446	140	114	223	140	13,1	60	G1¼		
		03	158		G	0,73	2,56/1,48	3410	140	114	223	140	13,4	60			
		04	180		H	1,26	4,07/2,35	3368	140	114	223	140	14,1	60			
		05	201		J	1,8	5,0/2,9	3460	176	149	406	140	26,6	64			
		06	223			26,9											
		07	244			30,8											
		08	266		K	2,6	7,5/4,3	3400	176	149	406	140	31,1	64			
		09	287			33,8											
		10	309			34,1											
		11	330		L	3,6	10,1/5,82	3500	196	155	427	140	34,4	70			
		12	352										41,0				
		14	395										41,6				
		16	438	M	4,5	12,7/7,3	3480	196	155	447	140	54,2	72				
		18	481									54,8					
						Δ 460	N	6,2	Δ 11,5	3490	257	182	530	140			



PSR 06 – Immersion pumps, sealless

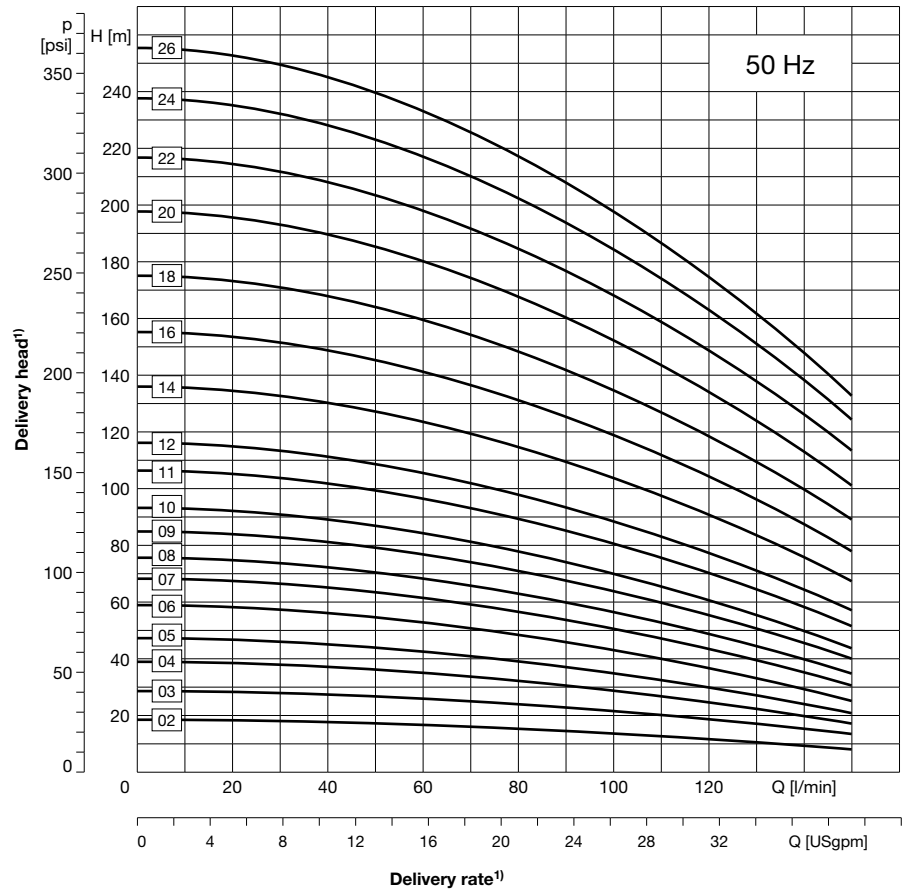
50 Hz, closed impellers



PSR

Features

- Vertical multistage coolant pump
- Connector dimensions as per DIN EN 12157
- For delivery of slightly contaminated types of fluids
- Installation directly into the reservoir
- Pressure port is located above the reservoir plate and designed with internal thread G1 1/4



Technical Data

Delivery rate Q_{max}	150 l/min
Delivery head H_{max}	255 m
Immersion depth t_{max}	747 mm
Kinematic viscosity	max. 20 mm ² /s
Delivery temperature	-10 °C to +80 °C
Grain size	max. Ø2 mm
Contamination	max. 50 g/m ³
Direction of rotation	clockwise (as viewed looking down on the motor's ventilation side)
Fluids delivered	Emulsions, cooling and cutting oils, cleaning liquids, water, mild acids

Mechanical design

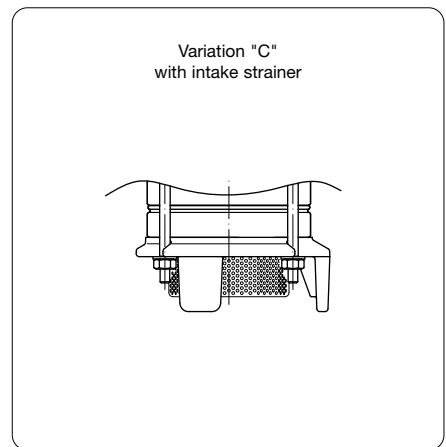
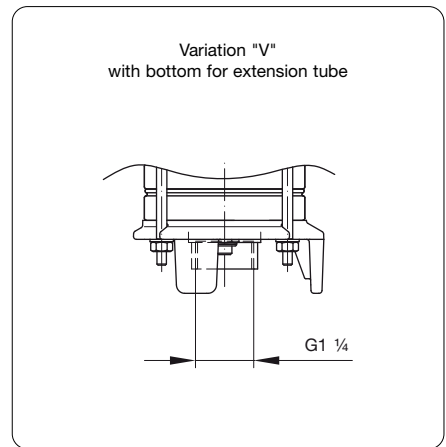
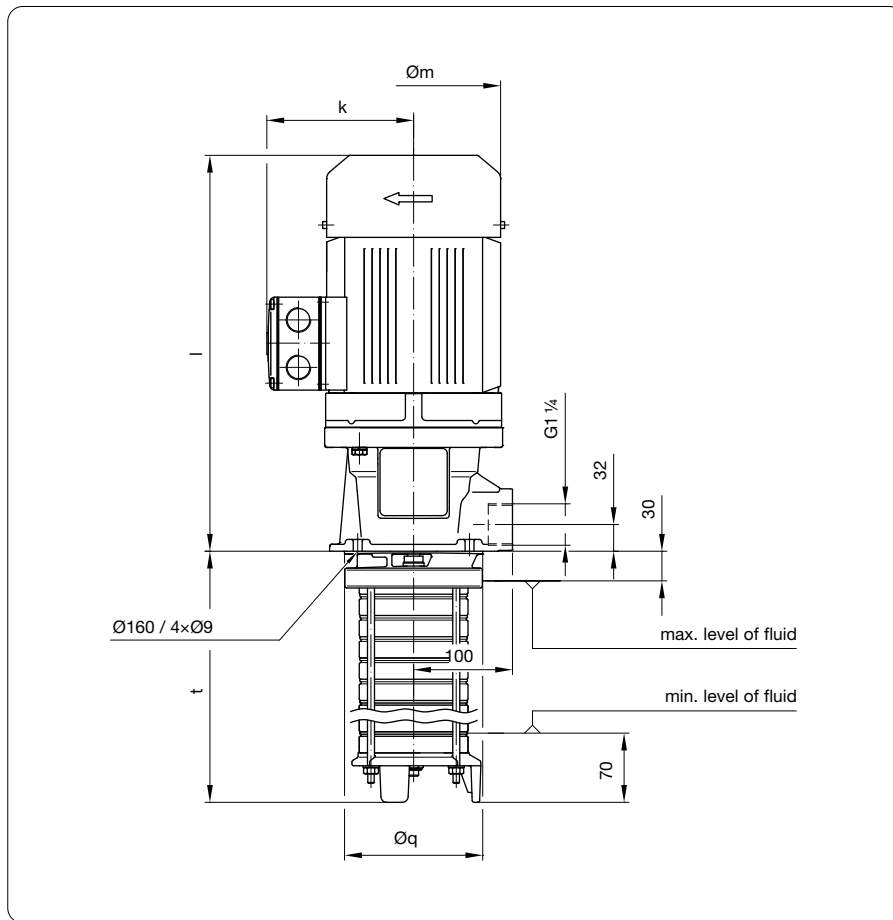
Component	Material
Flange	EN-GJL-200
Shaft	Stainless steel 1.4122
Gap bush ($H_{max} < 150$ m)	POM
Mechanical seal ($H_{max} > 150$ m)	WC, carbon, FKM, stainless steel 1.4571
Impeller	Stainless steel 1.4301
Intermediate chamber	Stainless steel 1.4301
Tension anchor	Stainless steel 1.4057
Bushing	Stainless steel 1.4301
Pumps bottom	EN-GJL-200
Elastomers	FPM

Variations

Component	Material
Flange	with chemical surface sealing or coated with paint
Bottom for extension tube	Stainless steel 1.4301
Intake strainer	Stainless steel 1.4301
Pumps bottom	Stainless steel 1.4308

¹⁾ Data for viscosity of ~1 mm²/s at a density of ~1 kg/dm³. Minimum volumetric flow: 5 to 10 % of nominal delivery rate.

PSR 06 – Immersion pumps, sealless 50 Hz, closed impellers



Electrical data, dimensions and weights at 50 Hz

Type of pump			Immer- sion depth t [mm]	Rated motor values				Dimensions [mm]				Weight [kg]	Sonic pressure [dBA]	Pressure port (DIN ISO 228)	
Series	Frame size	Stages		Voltage Δ/Y U [V]	Motor index	Output P_N [kW]	Current Δ/Y I_N [A]	Speed n_N [min ⁻¹]	$\varnothing m$	k	l				$\varnothing q$
PSR	06	02	147	230/400	F	0,55	2,06/1,19	2836	140	114	223	140	13,2	58	G1 1/4
		03	172		G	0,63	2,56/1,48	2807	140	114	223	140	13,6	58	
		04	197		H	1,1	4,07/2,35	2730	140	114	223	140	13,9	58	
		05	222			14,3									
		06	247		J	1,5	4,95/2,86	2850	176	149	396	140	26,8	60	
		07	272			27,1									
		08	297			28,5									
		09	322			28,8									
		10	347		K	2,2	7,15/4,13	2840	176	149	406	140	29,2	60	
		11	372			32,2									
		12	397		L	3,0	10,0/5,75	2885	196	155	427	140	32,5	67	
		14	447			33,1									
		16	497	35,1											
		18	547	M	4,0	13,0/7,5	2880	196	155	447	140	35,8	69		
		20	597		47,8										
		22	647	Δ 400	N	5,5	11,2	2900	257	182	530	140	48,5	71	
24	697	49,2													
26	747	50,0													

PSR 06 – Immersion pumps, sealless

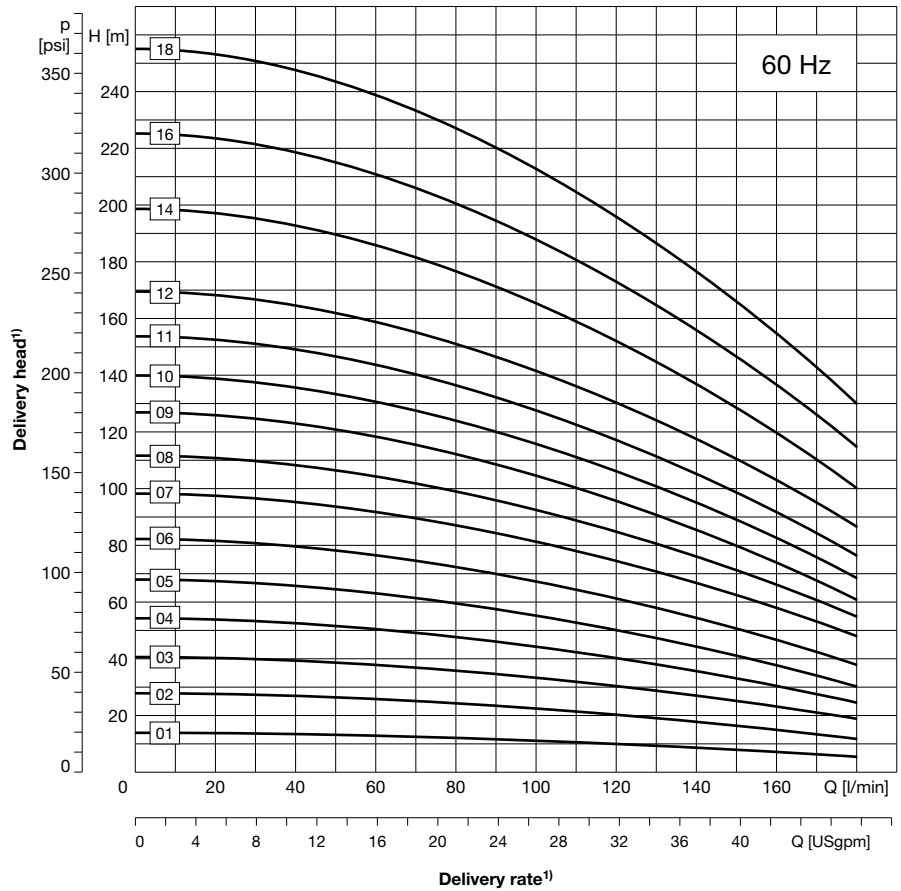
60 Hz, closed impellers



PSR

Features

- Vertical multistage coolant pump
- Connector dimensions as per DIN EN 12157
- For delivery of slightly contaminated types of fluids
- Installation directly into the reservoir
- Pressure port is located above the reservoir plate and designed with internal thread G1 1/4



Technical Data

Delivery rate Q_{max}	180 l/min
Delivery head H_{max}	255 m
Immersion depth t_{max}	547 mm
Kinematic viscosity	max. 20 mm ² /s
Delivery temperature	-10 °C to +80 °C
Grain size	max. Ø2 mm
Contamination	max. 50 g/m ³
Direction of rotation	clockwise (as viewed looking down on the motor's ventilation side)
Fluids delivered	Emulsions, cooling and cutting oils, cleaning liquids, water, mild acids

Mechanical design

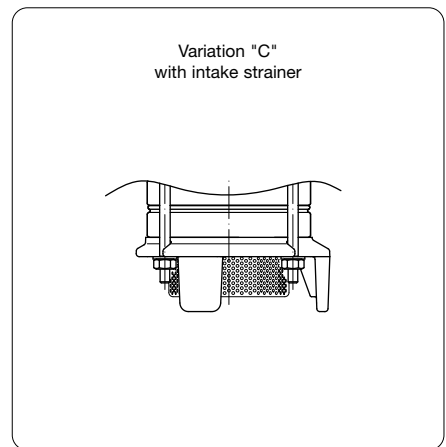
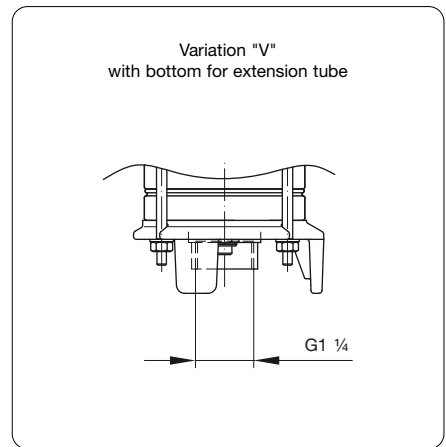
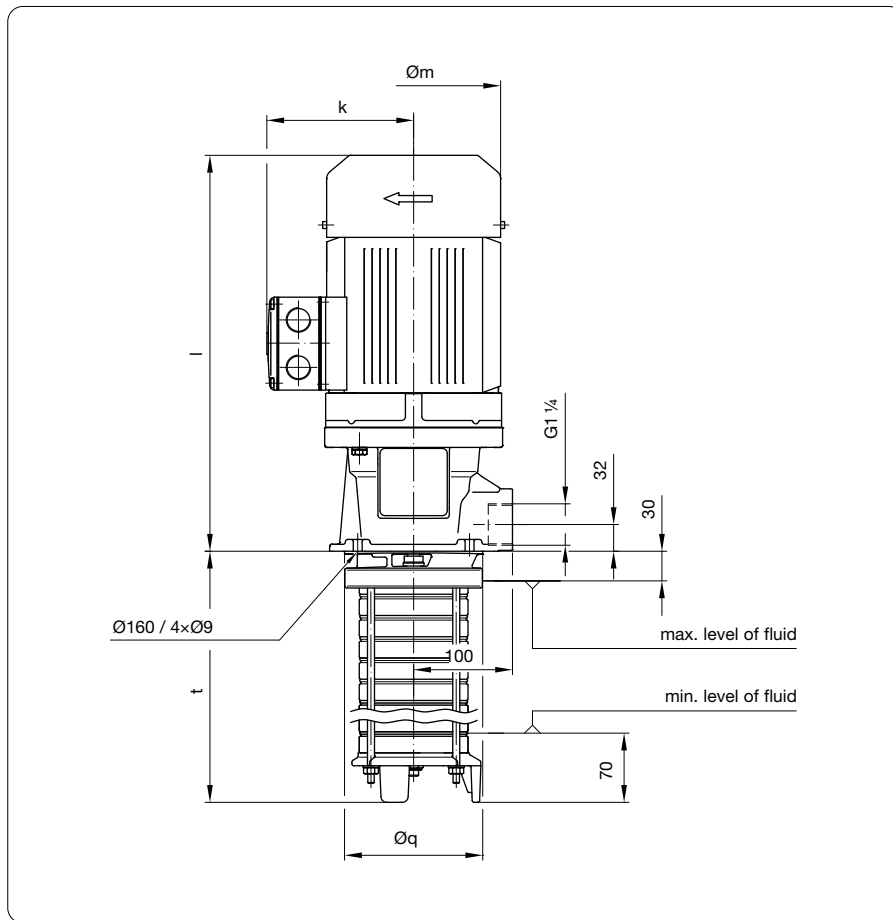
Component	Material
Flange	EN-GJL-200
Shaft	Stainless steel 1.4122
Gap bush ($H_{max} < 150$ m)	POM
Mechanical seal ($H_{max} > 150$ m)	WC, carbon, FKM, stainless steel 1.4571
Impeller	Stainless steel 1.4301
Intermediate chamber	Stainless steel 1.4301
Tension anchor	Stainless steel 1.4057
Bushing	Stainless steel 1.4301
Pumps bottom	EN-GJL-200
Elastomers	FPM

Variations

Component	Material
Flange	with chemical surface sealing or coated with paint
Bottom for extension tube	Stainless steel 1.4301
Intake strainer	Stainless steel 1.4301
Pumps bottom	Stainless steel 1.4308

¹⁾ Data for viscosity of ~1 mm²/s at a density of ~1 kg/dm³. Minimum volumetric flow: 5 to 10 % of nominal delivery rate.

PSR 06 – Immersion pumps, sealless 60 Hz, closed impellers



PSR

Electrical data, dimensions and weights at 60 Hz

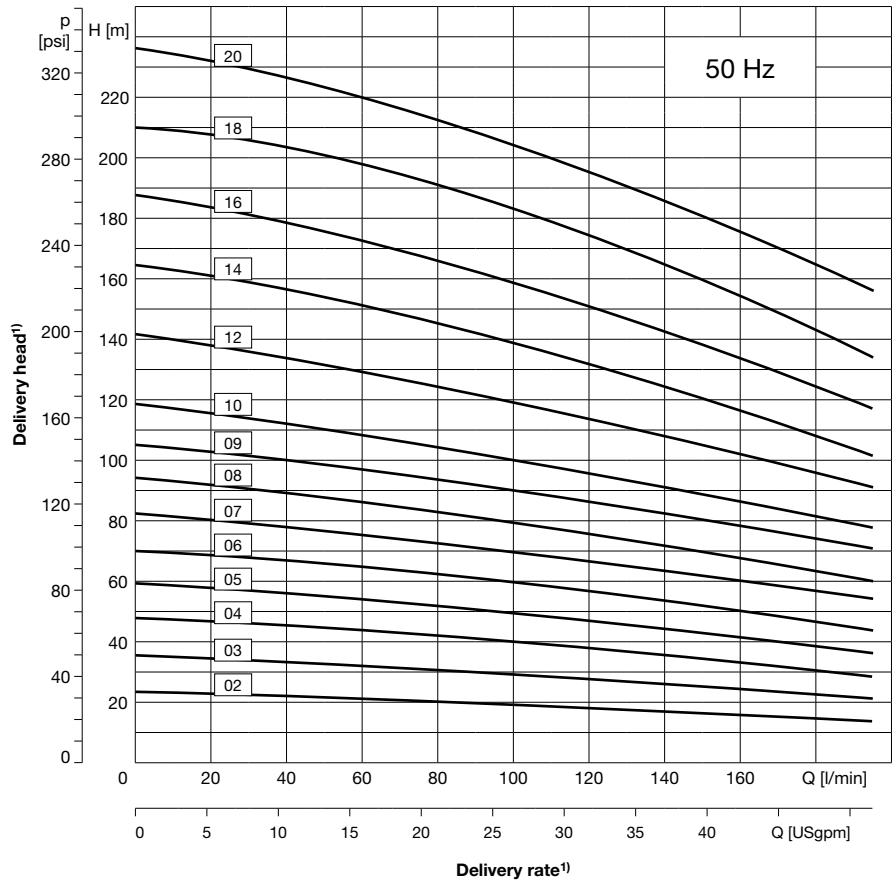
Type of pump			Immer- sion depth t [mm]	Rated motor values				Dimensions [mm]				Weight [kg]	Sonic pressure [dBA]	Pressure port (DIN ISO 228)	
Series	Frame size	Stages		Voltage Δ/Y U [V]	Motor index	Output P _N [kW]	Current Δ/Y I _N [A]	Speed n _N [min ⁻¹]	Øm	k	l				Øq
PSR	06	01	122	265/460	F	0,62	2,06/1,19	3446	140	114	223	140	13,2	60	G1¼
		02	147		G	0,73	2,56/1,48	3410	140	114	223	140	13,7	60	
		03	172		H	1,26	4,07/2,35	3368	140	114	223	140	14,1	60	
		04	197		J	1,75	4,95/2,86	3465	176	149	396	140	26,2	64	
		05	222		K	2,55	7,15/4,13	3460	176	149	406	140	27,5	64	
		06	247			27,9									
		07	272		L	3,45	10,0/5,75	3505	196	155	427	140	30,7	70	
		08	297			31,1									
		09	322			33,2									
		10	347		M	4,6	13,0/7,5	3495	196	155	447	140	33,6	72	
		11	372			34,0									
		12	397			46,0									
		14	447	N	6,2	11,5	3490	257	182	530	140	46,8	72		
		16	497		52,0										
		18	547		52,8										
					O	8,6	14,5	3490	257	182	530	140		52,8	

PXA 10 – Immersion pumps, sealless 50 Hz, closed impellers



Features

- Vertical multistage centrifugal pump
- For delivery of slightly contaminated fluids
- Installation directly into the reservoir
- Pressure port is located above the reservoir plate
- Pressure port is designed with internal thread G2



Technical Data

Delivery rate Q_{max}	195 l/min
Delivery head H_{max}	235 m
Immersion depth t_{max}	680 mm
Kinematic viscosity	max. 20 mm ² /s
Delivery temperature	-10 °C to +80 °C
Grain size	max. Ø2 mm
Contamination	max. 50 g/m ³
Direction of rotation	clockwise (as viewed looking down on the motor's ventilation side)
Fluids delivered	Emulsions, cooling and cutting oils, cleaning liquids, mild acids

Mechanical design

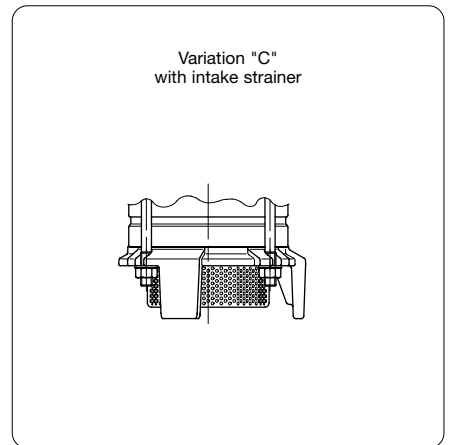
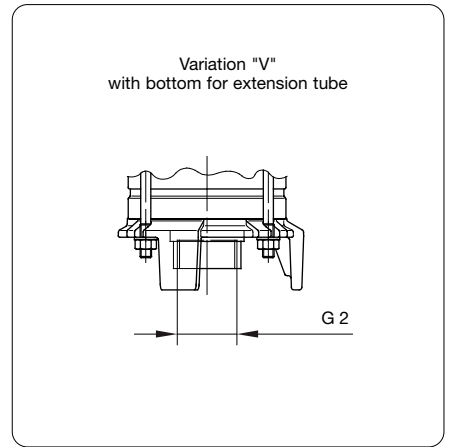
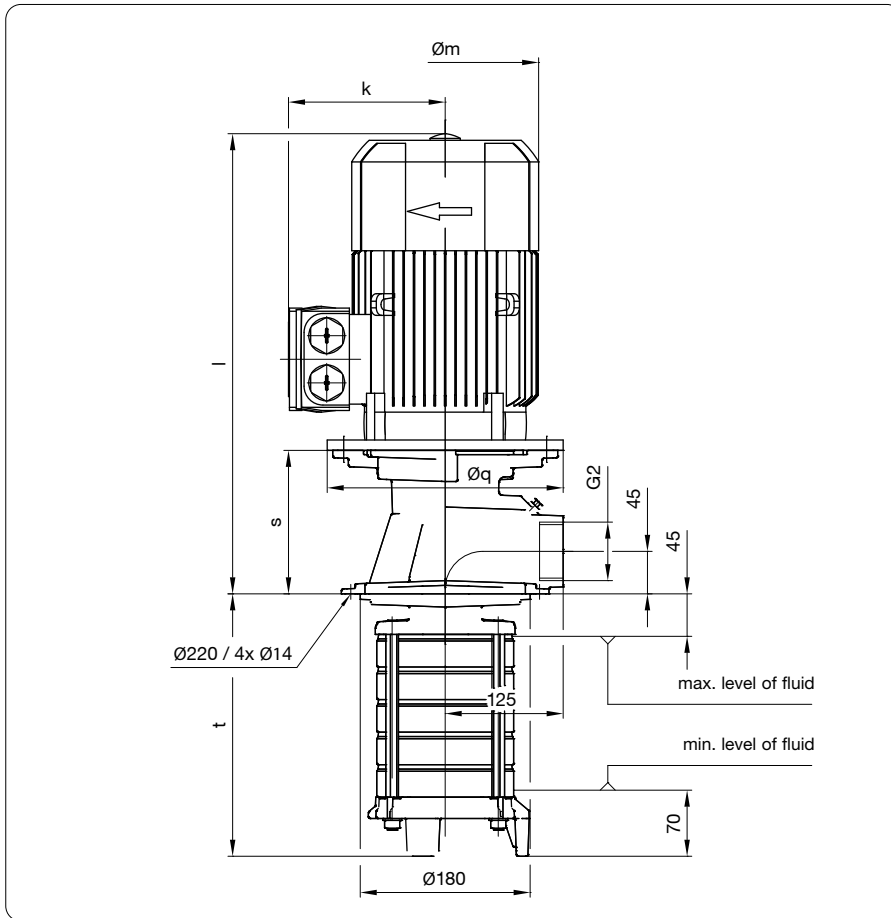
Component	Material
Flange	EN-GJS-400
Shaft	Stainless steel 1.4305
Impeller	Stainless steel 1.4301
Intermediate chamber	Stainless steel 1.4301
Tension anchor	Stainless steel 1.4057
Pumps bottom	EN-GJL-250
Elastomers	FPM
Bearings	Deep groove ball bearing with covering disk
Gap bush ($H_{max} < 150$ m)	POM
Mechanical seal ($H_{max} > 150$ m)	WC, Carbide, FPM, Stainless steel 1.4571

Variations

Component	Material
Mechanical seal	WC, Carbide, FPM, Stainless steel 1.4571
Bottom for extension tube	Stainless steel 1.4301
Intake strainer	Stainless steel 1.4301

¹⁾ Data for viscosity of ~1 mm²/s at a density of ~1 kg/dm³. Minimum volumetric flow: 5 to 10 % of nominal delivery rate.

PXA 10 – Immersion pumps, sealless **50 Hz, closed impellers**



PXA

Electrical data, dimensions and weights at 50 Hz

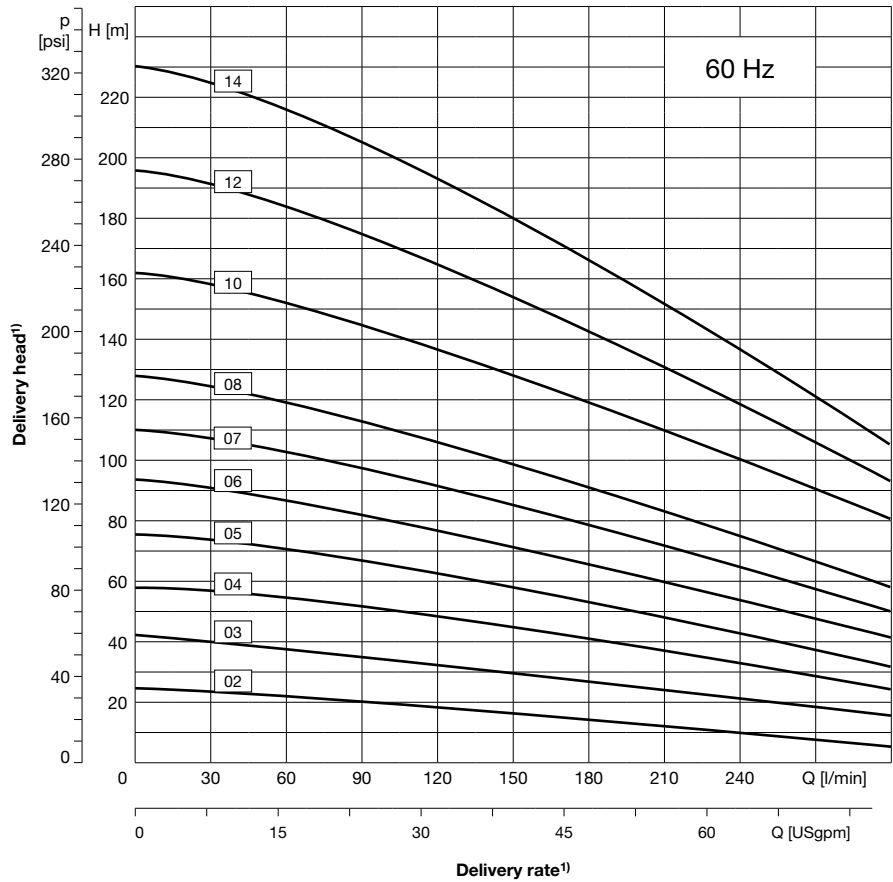
Type of pump			Immer- sion depth t [mm]	Rated motor values				Dimensions [mm]					Weight [kg]	Sonic pressure [dBA]	Pressure port (DIN ISO 228)	
Series	Frame size	Stages		Voltage Δ/Y U [V]	Motor index	Output P_N [kW]	Current Δ/Y I_N [A]	Speed n_N [min ⁻¹]	$\varnothing m$	k	l	$\varnothing q$				s
PXA	10	02	194	230/400	G	0,63	2,75/1,56	2850	159	121	384	200	132	28	60	G2
		03	221		H	1,1	3,95/2,25	2885			419			30		
		04	248		J	1,5	5,2/3,0	2910			439			34		
		05	275		K	2,2	7,4/4,2	2910	178	126	479	200	142	39		
		06	302											40		
		07	329											L		
		08	356	M	4,0	12,7/7,3	2945	222	177	506	250	152	48	69		
		09	383										57			
		10	410										58			
		12	464										75			
		14	518	N	5,5	Δ 9,9	2950	262	202	598	300	203	76	68		
		16	572										77			
		18	626										93			
		20	680										O		7,5	

PXA 10 – Immersion pumps, sealless 60 Hz, closed impellers



Features

- Vertical multistage centrifugal pump
- For delivery of slightly contaminated fluids
- Installation directly into the reservoir
- Pressure port is located above the reservoir plate
- Pressure port is designed with internal thread G2



PXA

Technical Data

Delivery rate Q_{max}	300 l/min
Delivery head H_{max}	230 m
Immersion depth t_{max}	518 mm
Kinematic viscosity	max. 20 mm ² /s
Delivery temperature	-10 °C to +80 °C
Grain size	max. Ø2 mm
Contamination	max. 50 g/m ³
Direction of rotation	clockwise (as viewed looking down on the motor's ventilation side)
Fluids delivered	Emulsions, cooling and cutting oils, cleaning liquids, mild acids

Mechanical design

Component	Material
Flange	EN-GJS-400
Shaft	Stainless steel 1.4305
Impeller	Stainless steel 1.4301
Intermediate chamber	Stainless steel 1.4301
Tension anchor	Stainless steel 1.4057
Pumps bottom	EN-GJL-250
Elastomers	FPM
Bearings	Deep groove ball bearing with covering disk
Gap bush ($H_{max} < 150$ m)	POM
Mechanical seal ($H_{max} > 150$ m)	WC, Carbide, FPM, Stainless steel 1.4571

Variations

Component	Material
Mechanical seal	WC, Carbide, FPM, Stainless steel 1.4571
Bottom for extension tube	Stainless steel 1.4301
Intake strainer	Stainless steel 1.4301

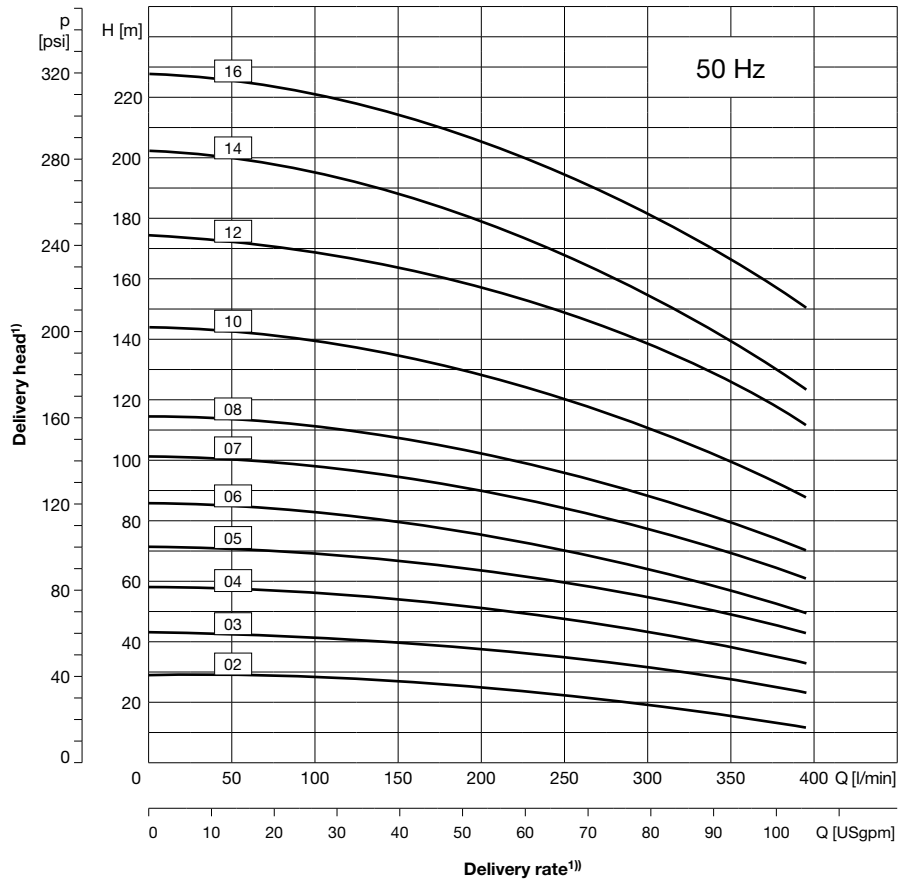
¹⁾ Data for viscosity of ~1 mm²/s at a density of ~1 kg/dm³. Minimum volumetric flow: 5 to 10 % of nominal delivery rate.

PXA 18 – Immersion pumps, sealless 50 Hz, closed impellers



Features

- Vertical multistage centrifugal pump
- For delivery of slightly contaminated fluids
- Installation directly into the reservoir
- Pressure port is located above the reservoir plate
- Pressure port is designed with internal thread G2



Technical Data

Delivery rate Q_{max}	390 l/min
Delivery head H_{max}	230 m
Immersion depth t_{max}	692 mm
Kinematic viscosity	max. 20 mm ² /s
Delivery temperature	-10 °C to +80 °C
Grain size	max. Ø2 mm
Contamination	max. 50 g/m ³
Direction of rotation	clockwise (as viewed looking down on the motor's ventilation side)
Fluids delivered	Emulsions, cooling and cutting oils, cleaning liquids, mild acids

Mechanical design

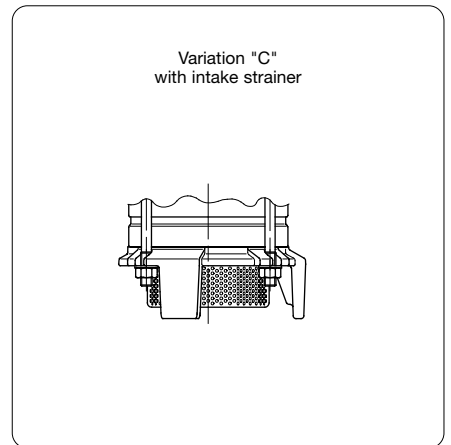
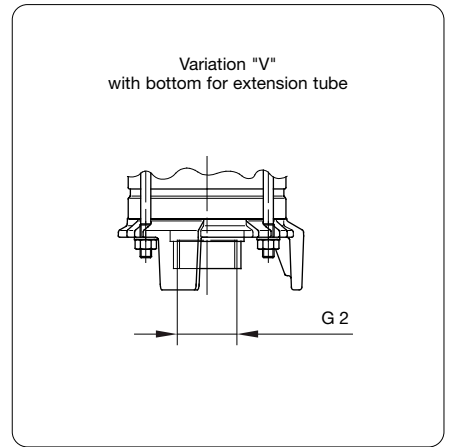
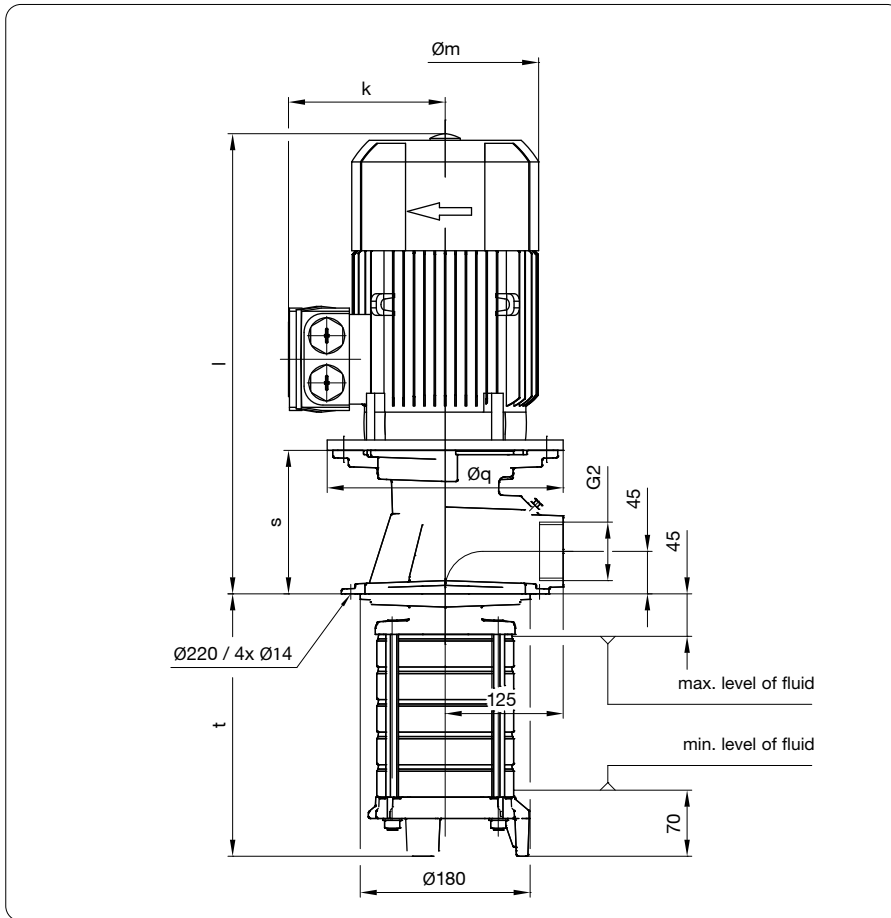
Component	Material
Flange	EN-GJS-400
Shaft	Stainless steel 1.4305
Impeller	Stainless steel 1.4301
Intermediate chamber	Stainless steel 1.4301
Tension anchor	Stainless steel 1.4057
Pumps bottom	EN-GJL-250
Elastomers	FPM
Bearings	Deep groove ball bearing with covering disk
Gap bush ($H_{max} < 150$ m)	POM
Mechanical seal ($H_{max} > 150$ m)	WC, Carbide, FPM, Stainless steel 1.4571

Variations

Component	Material
Mechanical seal	WC, Carbide, FPM, Stainless steel 1.4571
Bottom for extension tube	Stainless steel 1.4301
Intake strainer	Stainless steel 1.4301

¹⁾ Data for viscosity of ~1 mm²/s at a density of ~1 kg/dm³. Minimum volumetric flow: 5 to 10 % of nominal delivery rate.

PXA 18 – Immersion pumps, sealless 50 Hz, closed impellers



PXA

Electrical data, dimensions and weights at 50 Hz

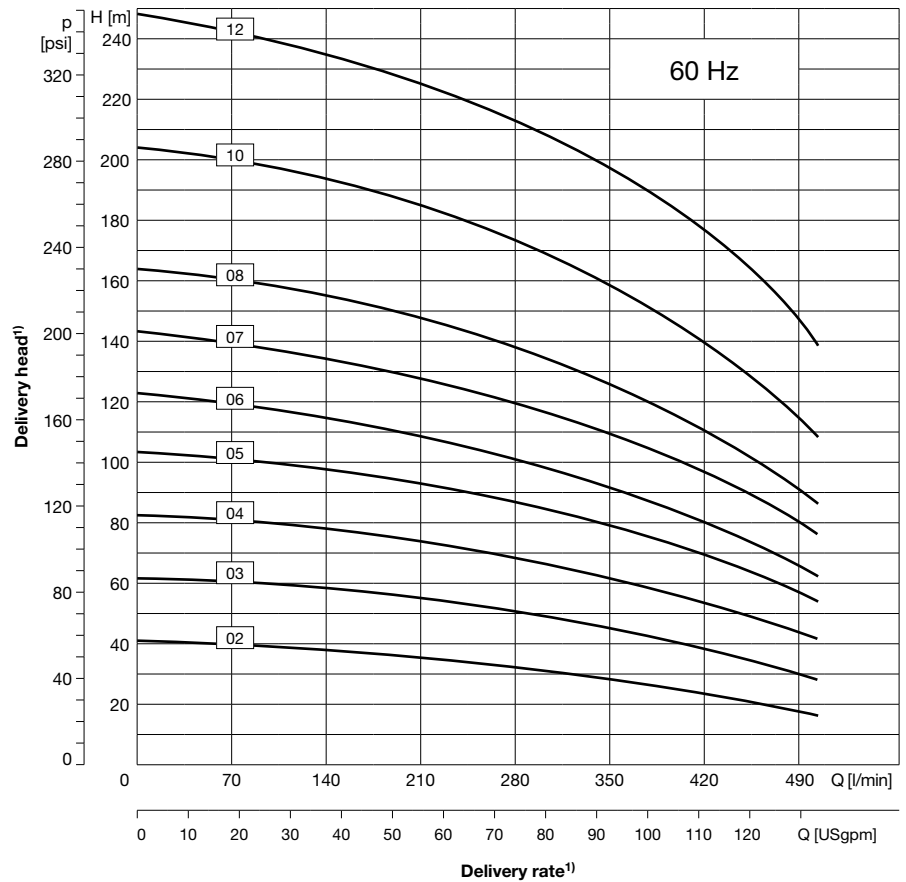
Type of pump			Immer- sion depth t [mm]	Rated motor values				Dimensions [mm]					Weight [kg]	Sonic pressure [dBA]	Pressure port (DIN ISO 228)											
Series	Frame size	Stages		Voltage Δ/Y U [V]	Motor index	Output P _N [kW]	Current Δ/Y I _N [A]	Speed n _N [min ⁻¹]	$\varnothing m$	k	l	$\varnothing q$				s										
PXA	18	02	210	230/400	K	2,2	7,4/4,2	2910	178	126	479	200	142	37	65	G2										
		03	244		L	3,0	9,9/5,6	2920	198	166	523	250	152	46												
		04	279		M	4,0	12,7/7,3	2945	222	177	506	250	152	55												
		05	313		N	5,5	Δ 9,9	2950	262	202	598	300	203	71												
		06	348	Δ 400	O	7,5	Δ 13,1	2950	262	202	648	300	203	86	68											
		07	382											87												
		08	417											88												
		10	485											P			11,0	Δ 19,6	2955	314	237	727	350	233	112	70
		12	554																						113	
		14	623																						124	
16	692	126																								

PXA 18 – Immersion pumps, sealless 60 Hz, closed impellers



Features

- Vertical multistage centrifugal pump
- For delivery of slightly contaminated fluids
- Installation directly into the reservoir
- Pressure port is located above the reservoir plate
- Pressure port is designed with internal thread G2



Technical Data

Delivery rate Q_{max}	500 l/min
Delivery head H_{max}	250 m
Immersion depth t_{max}	554 mm
Kinematic viscosity	max. 20 mm ² /s
Delivery temperature	-10 °C to +80 °C
Grain size	max. Ø2 mm
Contamination	max. 50 g/m ³
Direction of rotation	clockwise (as viewed looking down on the motor's ventilation side)
Fluids delivered	Emulsions, cooling and cutting oils, cleaning liquids, mild acids

Mechanical design

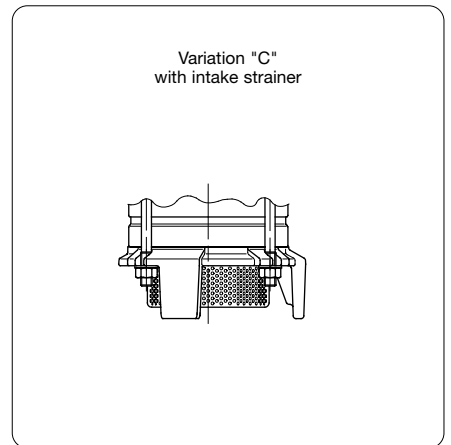
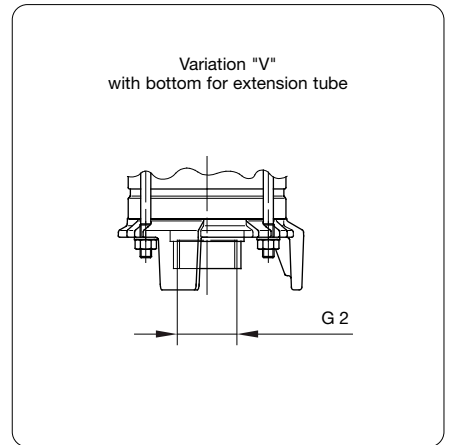
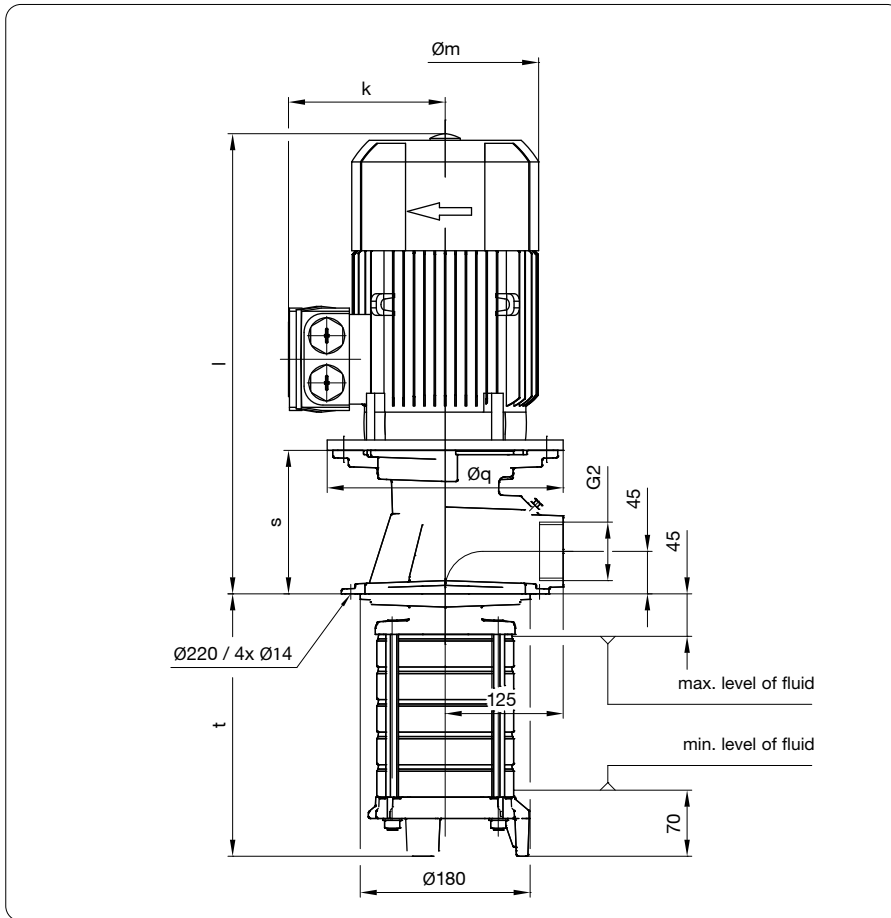
Component	Material
Flange	EN-GJS-400
Shaft	Stainless steel 1.4305
Impeller	Stainless steel 1.4301
Intermediate chamber	Stainless steel 1.4301
Tension anchor	Stainless steel 1.4057
Pumps bottom	EN-GJL-250
Elastomers	FPM
Bearings	Deep groove ball bearing with covering disk
Gap bush ($H_{max} < 150$ m)	POM
Mechanical seal ($H_{max} > 150$ m)	WC, Carbide, FPM, Stainless steel 1.4571

Variations

Component	Material
Mechanical seal	WC, Carbide, FPM, Stainless steel 1.4571
Bottom for extension tube	Stainless steel 1.4301
Intake strainer	Stainless steel 1.4301

¹⁾ Data for viscosity of ~1 mm²/s at a density of ~1 kg/dm³. Minimum volumetric flow: 5 to 10 % of nominal delivery rate.

PXA 18 – Immersion pumps, sealless 60 Hz, closed impellers



PXA

Electrical data, dimensions and weights at 60 Hz

Type of pump			Immer- sion depth t [mm]	Rated motor values					Dimensions [mm]					Weight [kg]	Sonic pressure [dBA]	Pressure port (DIN ISO 228)
Series	Frame size	Stages		Voltage Δ/Y U [V]	Motor index	Output P _N [kW]	Current Δ/Y I _N [A]	Speed n _N [min ⁻¹]	Øm	k	l	Øq	s			
PXA	18	02	210	Y 460	M	4,55	Y 7,2	3550	222	177	506	250	152	52,9	73	G2
		03	244											58,7		
		04	279											84,2		
		05	313	Δ 460	O	8,6	Δ 13,0	3550	262	202	648	300	203	85,1	72	
		06	348											107,9		
		07	382											108,8		
		08	417											118,7		
		10	485											130,5		
12	554	132,3														

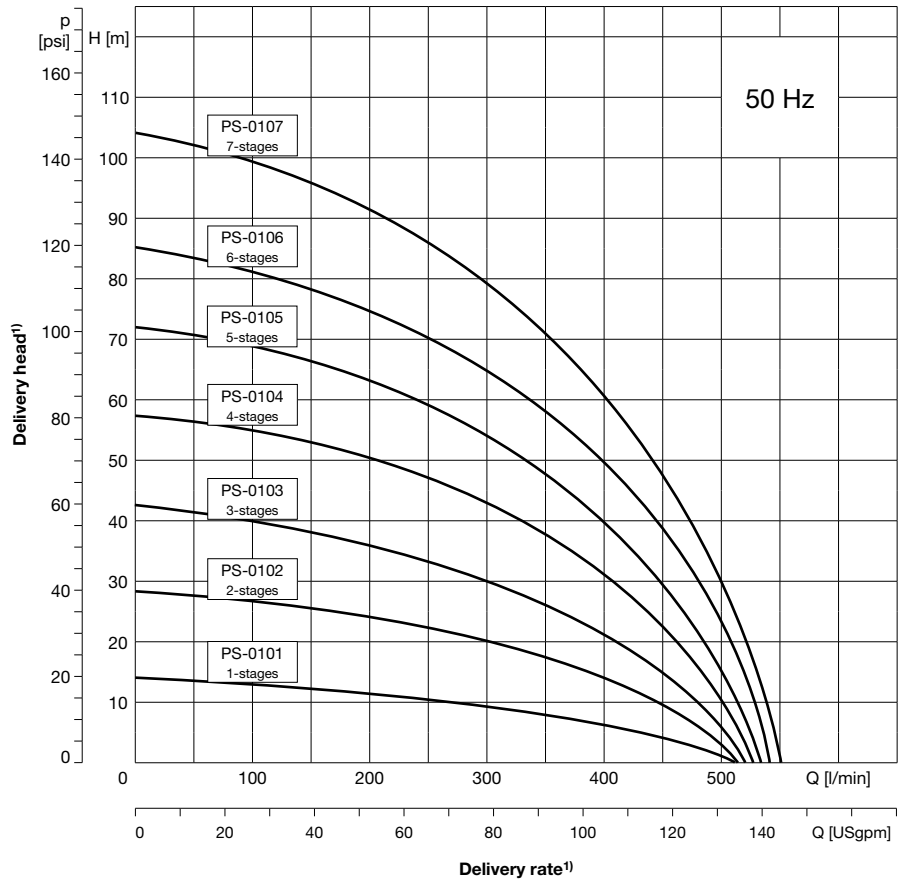
PS/PSL 01 – Immersion pumps, sealless

50 Hz, closed impellers



Features

- Vertical multistage coolant pump
- For delivery of clean, polluted and viscous types of fluids
- Installation directly into the reservoir
- Pressure port is located above the reservoir plate and designed with internal thread G2



PS/PSL

Technical Data

Delivery rate Q_{max}	1250 l/min
Delivery head H_{max}	105 m
Immersion depth t_{max}	670 mm
Kinematic viscosity	max. 30 mm ² /s
Delivery temperature	0 °C to +80 °C
Grain size	max. Ø4 mm
Contamination	max. 8,2 kg/m ³
Direction of rotation	clockwise (as viewed looking down on the motor's ventilation side)
Fluids delivered	Emulsions, cooling and cutting oils, Water with rust-proofing additives, heat carrier oil

Mechanical design

Component	Material
Flange	EN-GJL-200
Shaft	1.0762
Impeller	EN-GJL-200
Intermediate chamber	EN-GJL-200
Bearings	Deep groove ball bearing with covering disk
Bushing	Sintered iron
Pumps bottom	EN-GJL-200

Variations

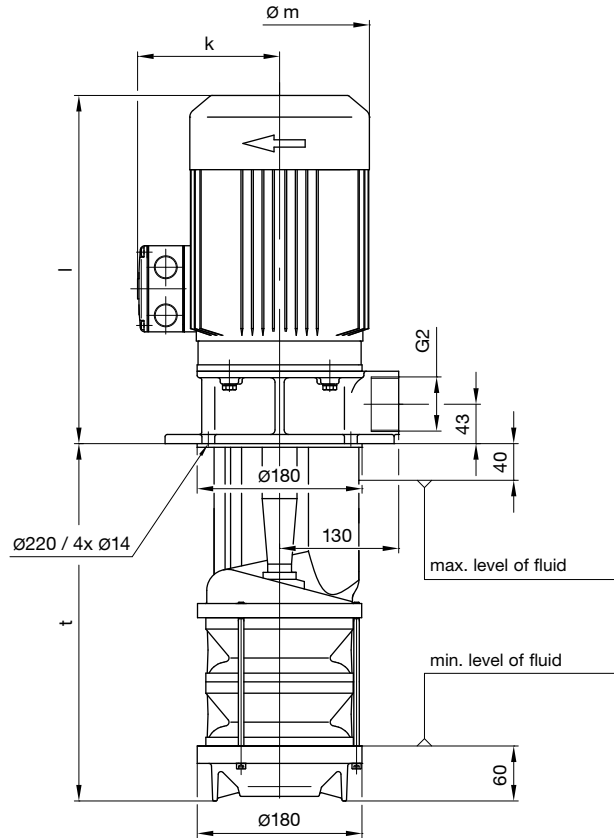
Component	Material
Mechanical seal	NBR
Extension tube	1.0308

¹⁾ Data for viscosity of ~1 mm²/s at a density of ~1 kg/dm³. Minimum volumetric flow: 5 to 10 % of nominal delivery rate.



PS/PSL 01 – Immersion pumps, sealless

50 Hz, closed impellers



Electrical data, dimensions and weights at 50 Hz

Type of pump			Immer- sion depth t [mm]	Rated motor values					Dimensions [mm]			Weight [kg]	Sonic pressure [dBA]	Pressure port (DIN ISO 228)
Series	Frame size	Stages		Voltage Δ/Y U [V]	Motor index	Output P _N [kW]	Current Δ/Y I _N [A]	Speed n _N [min ⁻¹]	Øm	k	l			
PS PSL	01	01	250	230/400	H	1,1	4,07/2,35	2730	140	114	286	36	62-64	G2
			320									38		
			450									40		
			550									42		
		02	320		44	65-77								
			390		46									
			520		48									
		03	620		50	68-74								
			390		51									
			460		53									
		04	590		55	69-75								
			460		59									
			530		61									
		05	660		63	68-75								
530	85													
600	87													
600	91													
06	600	91	69-75											
07	670	105	72-75											
			Δ 400	N	5,5	Δ 11,2	2900	257	182	484		68-75		
				O	7,5	Δ 14,5	2900	257	182	484		69-75		

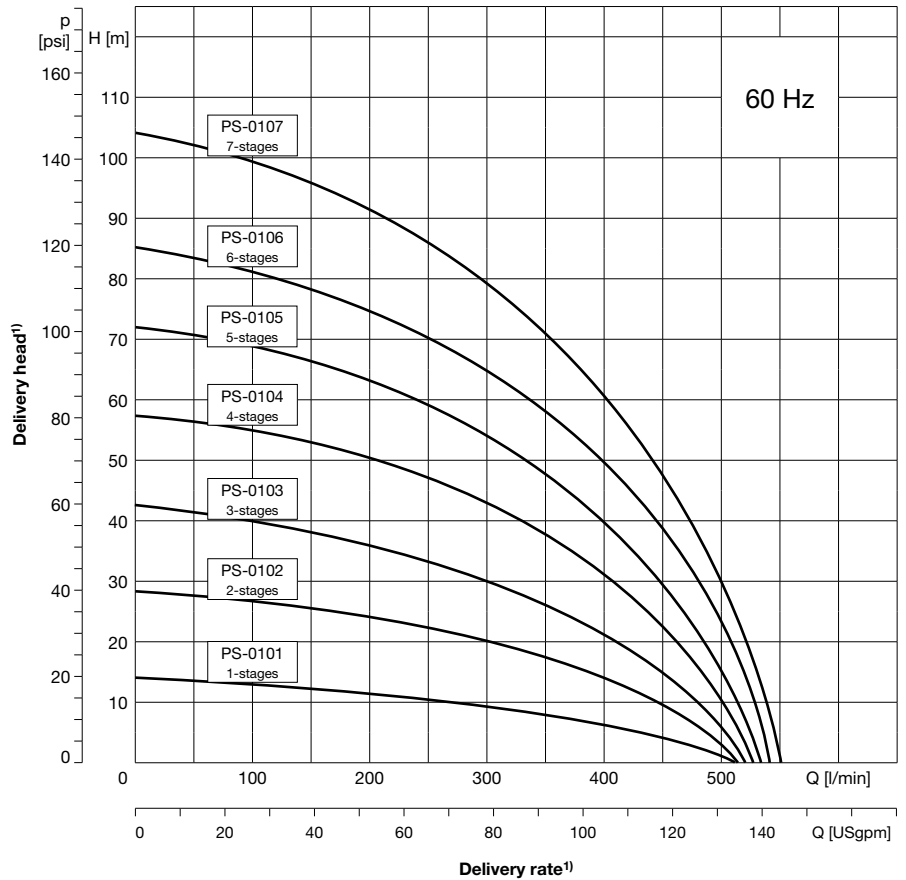
PS/PSL 01 – Immersion pumps, sealless

60 Hz, closed impellers



Features

- Vertical multistage coolant pump
- For delivery of clean, polluted and viscous types of fluids
- Installation directly into the reservoir
- Pressure port is located above the reservoir plate and designed with internal thread G2



PS/PSL

Technical Data

Delivery rate Q_{max}	1250 l/min
Delivery head H_{max}	105 m
Immersion depth t_{max}	670 mm
Kinematic viscosity	max. 30 mm ² /s
Delivery temperature	0 °C to +80 °C
Grain size	max. Ø4 mm
Contamination	max. 8,2 kg/m ³
Direction of rotation	clockwise (as viewed looking down on the motor's ventilation side)
Fluids delivered	Emulsions, cooling and cutting oils, Water with rust-proofing additives, heat carrier oil

Mechanical design

Component	Material
Flange	EN-GJL-200
Shaft	1.0762
Impeller	EN-GJL-200
Intermediate chamber	EN-GJL-200
Bearings	Deep groove ball bearing with covering disk
Bushing	Sintered iron
Pumps bottom	EN-GJL-200

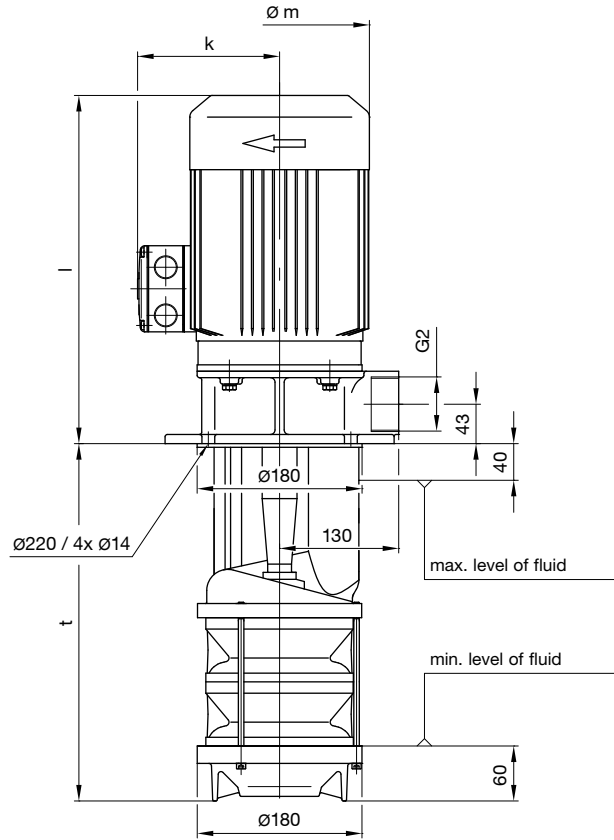
Variations

Component	Material
Mechanical seal	NBR
Extension tube	1.0308

¹⁾ Data for viscosity of ~1 mm²/s at a density of ~1 kg/dm³. Minimum volumetric flow: 5 to 10 % of nominal delivery rate.

PS/PSL 01 – Immersion pumps, sealless

60 Hz, closed impellers



Electrical data, dimensions and weights at 60 Hz

Type of pump			Immer- sion depth t [mm]	Rated motor values				Dimensions [mm]			Weight [kg]	Sonic pressure [dBA]	Pressure port (DIN ISO 228)	
Series	Frame size	Stages		Voltage Δ/Y U [V]	Motor index	Output P_N [kW]	Current $\Delta/Y I_N$ [A]	Speed n_N [min ⁻¹]	$\varnothing m$	k				l
PS PSL	01	01	250	265/460	H	1,26	4,07/2,35	3368	140	114	286	36	62-64	G2
			320									38		
			450									40		
			550									42		
		02	320		44	65-77								
			390		46									
			520		48									
			620		50									
		03	390		51	68-74								
			460		53									
			590		55									
		04	460		59	69-75								
			530		61									
			660		63									
05	530	85	68-75											
	600	87												
06	600	91	69-75											
07	670	105	72-75											
			$\Delta 460$	N	6,2	$\Delta 11,2$	3480	257	182	484				
				O	8,6	$\Delta 14,5$	3480	257	182	484				

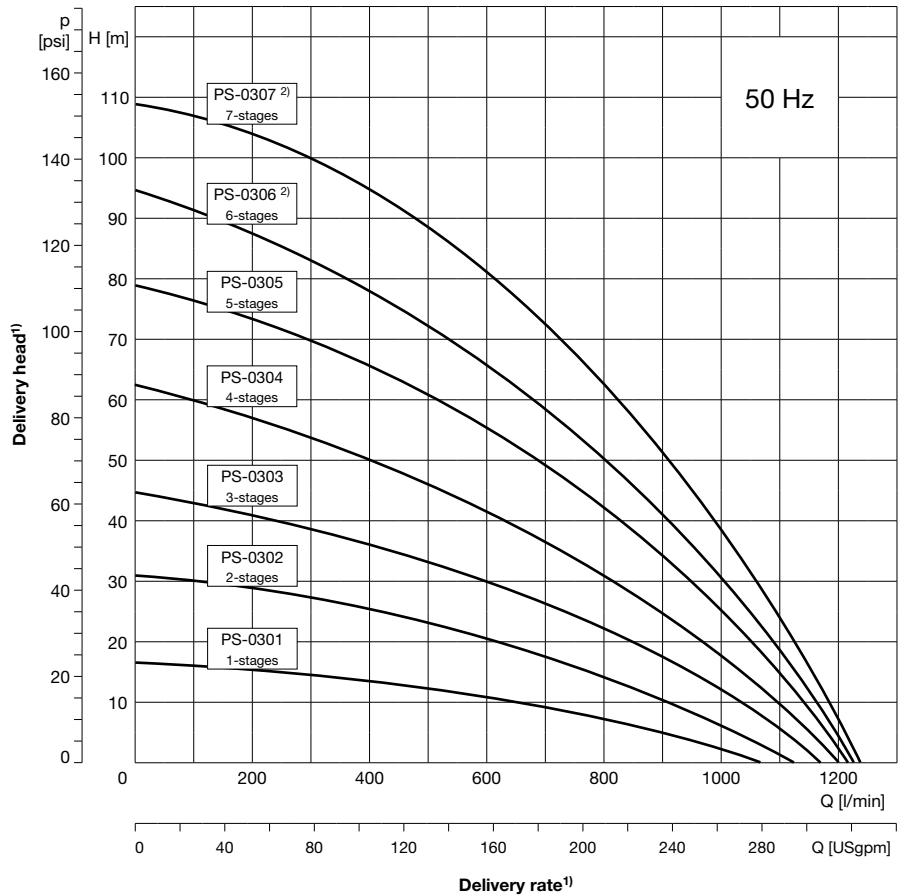
PS/PSL 03 – Immersion pumps, sealless

50 Hz, closed impellers



Features

- Vertical multistage coolant pump
- For delivery of clean, polluted and viscous types of fluids
- Installation directly into the reservoir
- Pressure port is located above the reservoir plate and designed with internal thread G2



PS/PSL

Technical Data

Delivery rate Q_{max}	1250 l/min
Delivery head H_{max}	105 m
Immersion depth t_{max}	670 mm
Kinematic viscosity	max. 30 mm ² /s
Delivery temperature	0 °C to +80 °C
Grain size	max. Ø4 mm
Contamination	max. 8,2 kg/m ³
Direction of rotation	clockwise (as viewed looking down on the motor's ventilation side)
Fluids delivered	Emulsions, cooling and cutting oils, Water with rust-proofing additives, heat carrier oil

Mechanical design

Component	Material
Flange	EN-GJL-200
Shaft	1.0762
Impeller	EN-GJL-200
Intermediate chamber	EN-GJL-200
Bearings	Deep groove ball bearing with covering disk
Bushing	Sintered iron
Pumps bottom	EN-GJL-200

Variations

Component	Material
Mechanical seal	NBR
Extension tube	1.0308

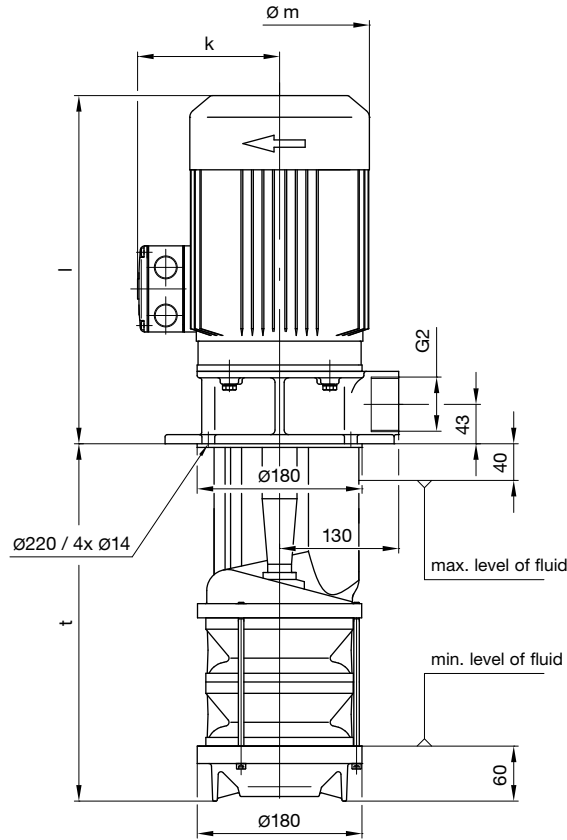
¹⁾ Data for viscosity of ~1 mm²/s at a density of ~1 kg/dm³. Minimum volumetric flow: 5 to 10 % of nominal delivery rate.

²⁾ Frame sizes PS/PSL 0306 and 0307 available on request.



PS/PSL 03 – Immersion pumps, sealless

50 Hz, closed impellers



Electrical data, dimensions and weights at 50 Hz

Type of pump			Immer- sion depth t [mm]	Rated motor values					Dimensions [mm]			Weight [kg]	Sonic pressure [dBA]	Pressure port (DIN ISO 228)	
Series	Frame size	Stages		Voltage $\Delta/Y/U$ [V]	Motor index	Output P_N [kW]	Current $\Delta/Y I_N$ [A]	Speed n_N [min ⁻¹]	$\varnothing m$	k	l				
PS PSL	03	01	250	230/400	K	2,2	7,15/4,13	2840	176	149	360	38	63-65	G2	
			320									40			
			450									42			
			550									44			
		02	320		47	M	4,0	13,0/7,5	2840	196	155	380	49		67-75
			390		51										
			520		53										
			620		53										
		03	390	73	N	5,5	Δ 11,2	2900	257	182	484	75	70-77		
			460	77											
			590	77											
		04	460	86	O	7,5	Δ 14,5	2900	257	182	484	88	70-78		
			530	88											
		05	05	102	Y	9,5	Δ 17,5	2920	257	182	522	104	73-79		
530	104														
06*	06*	120	P	11	Δ 21	2920	257	182	522	120	75-79				
07*	600	136	Q	15	Δ 29	2900	257	182	566	136	75-80				

* Frame sizes PS/PSL 0306 and 0307 available on request.

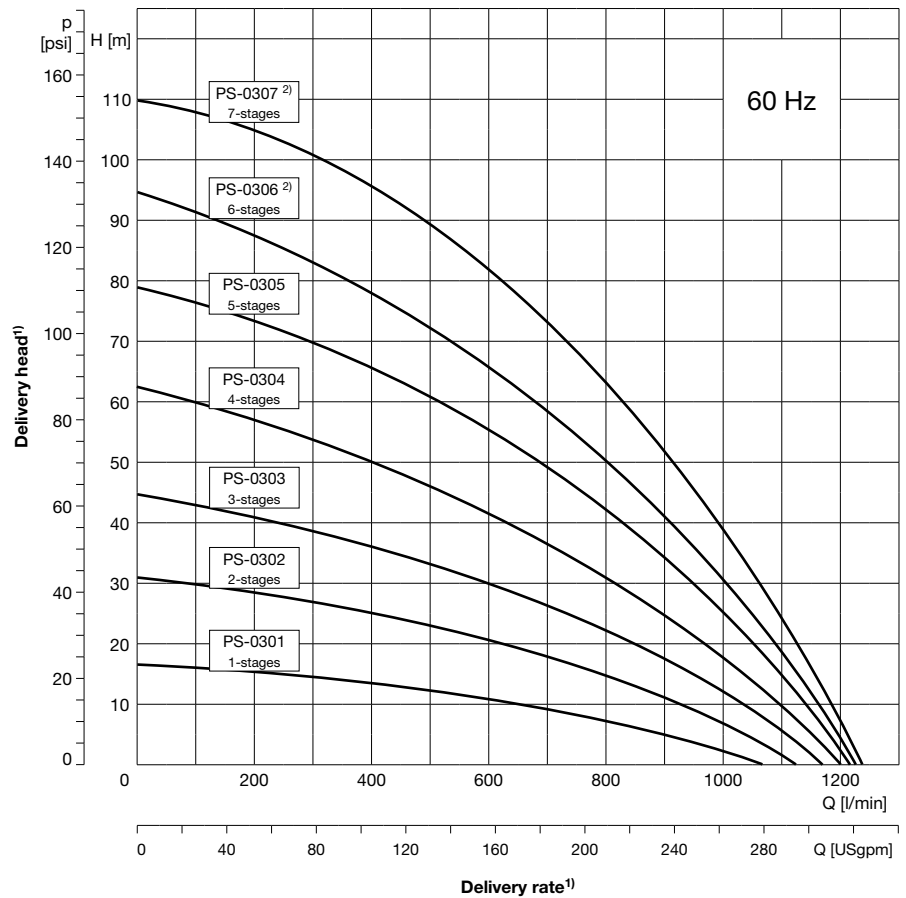
PS/PSL 03 – Immersion pumps, sealless

60 Hz, closed impellers



Features

- Vertical multistage coolant pump
- For delivery of clean, polluted and viscous types of fluids
- Installation directly into the reservoir
- Pressure port is located above the reservoir plate and designed with internal thread G2



Technical Data

Delivery rate Q_{max}	1250 l/min
Delivery head H_{max}	105 m
Immersion depth t_{max}	670 mm
Kinematic viscosity	max. 30 mm ² /s
Delivery temperature	0 °C to +80 °C
Grain size	max. Ø4 mm
Contamination	max. 8,2 kg/m ³
Direction of rotation	clockwise (as viewed looking down on the motor's ventilation side)
Fluids delivered	Emulsions, cooling and cutting oils, Water with rust-proofing additives, heat carrier oil

Mechanical design

Component	Material
Flange	EN-GJL-200
Shaft	1.0762
Impeller	EN-GJL-200
Intermediate chamber	EN-GJL-200
Bearings	Deep groove ball bearing with covering disk
Bushing	Sintered iron
Pumps bottom	EN-GJL-200

Variations

Component	Material
Mechanical seal	NBR
Extension tube	1.0308

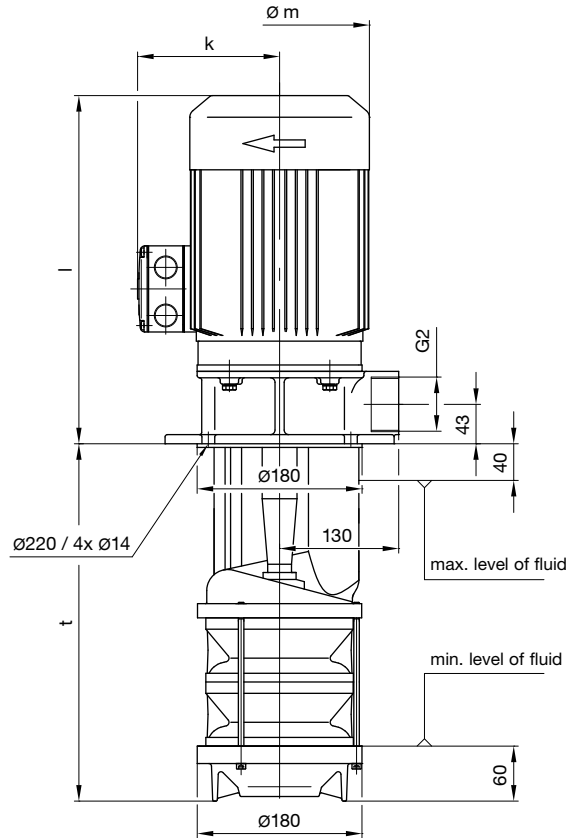
¹⁾ Data for viscosity of ~1 mm²/s at a density of ~1 kg/dm³. Minimum volumetric flow: 5 to 10 % of nominal delivery rate.

²⁾ Frame sizes PS/PSL 0306 and 0307 available on request.



PS/PSL 03 – Immersion pumps, sealless

60 Hz, closed impellers



Electrical data, dimensions and weights at 60 Hz

Type of pump			Immer- sion depth t [mm]	Rated motor values					Dimensions [mm]			Weight [kg]	Sonic pressure [dBA]	Pressure port (DIN ISO 228)				
Series	Frame size	Stages		Voltage Δ/Y U [V]	Motor index	Output P_N [kW]	Current Δ/Y I_N [A]	Speed n_N [min ⁻¹]	$\varnothing m$	k	l							
PS PSL	03	01	250	265/460	K	2,6	7,5/4,3	3400	176	149	360	38	63-65	G2				
			320									40						
			450									42						
			550									44						
		02	320		M	4,5	12,7/7,3	3480				196	155		380	47	67-75	
			390													49		
			520													51		
			620													53		
		03	390		N	6,2	Δ 11,2	3480				257	182		484	73	70-77	
																460		75
																590		77
		04	460		O	8,6	Δ 14,5	3480				257	182		484	86	70-78	
																530		88
		05	05		Y	11,0	Δ 17,5	3504				257	182		522	102	73-79	
530	104																	
06*	06*	P	12,5	Δ 21	3500	257	182	522	120	75-79								
07*	600	Q	17	Δ 29	3480	257	182	566	136	75-80								

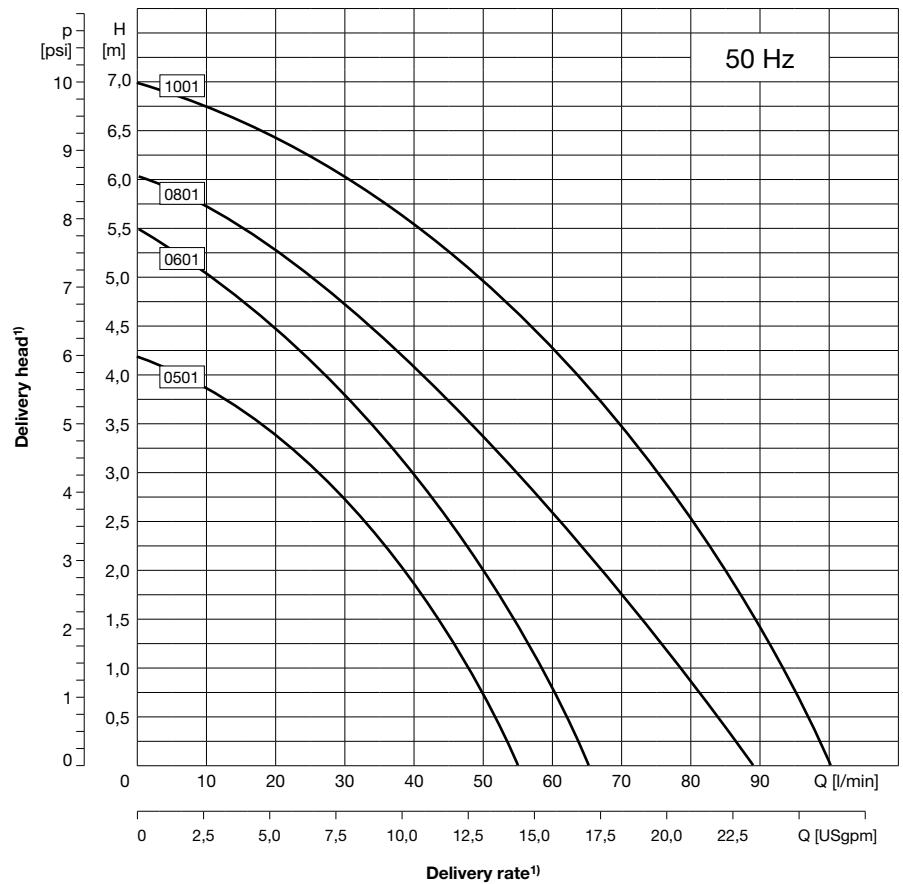
* Frame sizes PS/PSL 0306 and 0307 available on request.

PMS 05, 06, 08, 10 – Immersion pumps, sealless 50 Hz, open impellers



Features

- Vertical multistage pump
- Connecting dimensions according to DIN EN 12157
- For delivery of slightly contaminated types of fluids
- Installation directly into the reservoir
- Pressure port is located above the reservoir plate and designed with internal thread G3/4
- Unventilated motor



Technical data

Delivery rate Q_{max}	100 l/min
Delivery head H_{max}	7 m
Immersion depth t_{max}	350 mm
Kinematic viscosity	max. 20 mm ² /s
Delivery temperature	
Material "P"	0 °C to 60 °C
Material "G"	0 °C to 80 °C
Grain size	max. Ø5 mm
Contamination	max. 10 kg/m ³
Direction of rotation	anti-clockwise (as viewed looking down on the motor's ventilation side)
Fluids delivered	Various industrial use fluids, emulsions, also with chemical additives, oils, water with corrosion protection additive, water colors, heat transfer oils

Mechanical design

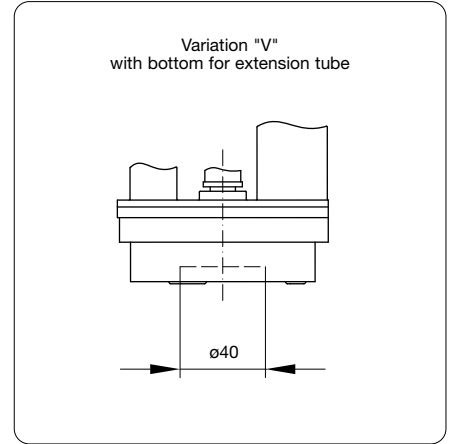
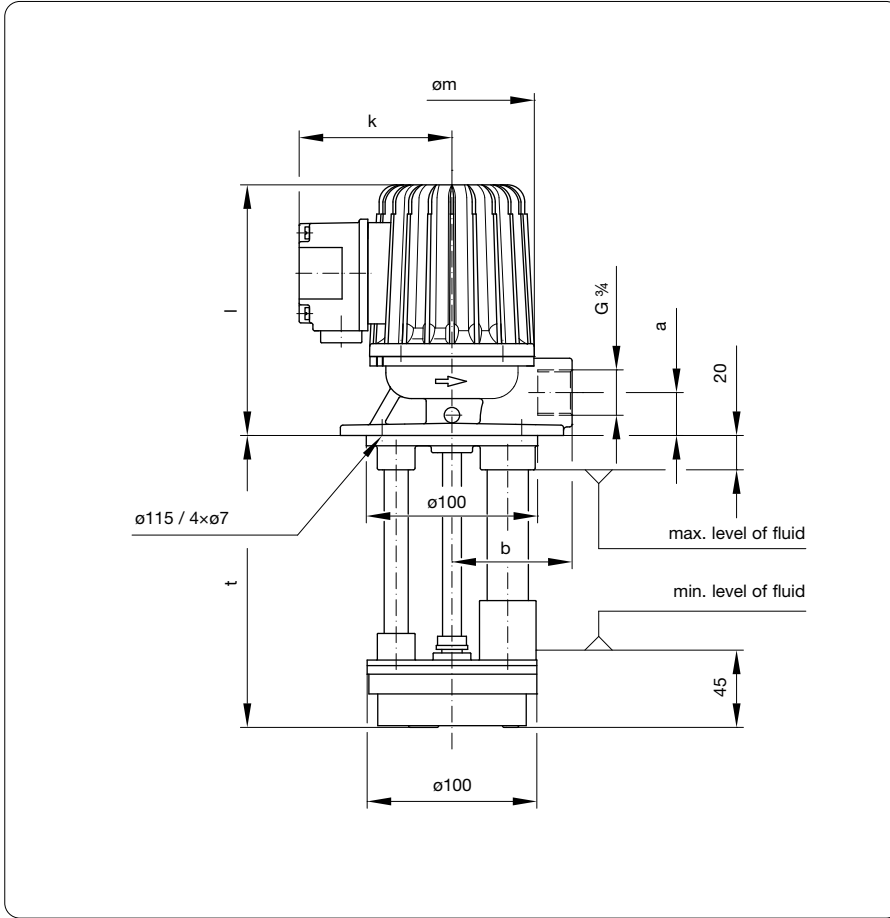
Component	Material
Flange	EN-GJL-200 and steel
Shaft	1.0762
Impeller	POM
Intermediate chamber	EN-GJL-200
Bushes	PTFE graphite
Pumps bottom material "P"	POM
Splash ring material "P"	NBR

Variations

Component	Material
Bottom with extension tube "V"	EN-GJL-200
Impeller material "G"	EN-GJL-200
Bottom standard design "G"	EN-GJL-200
Splash ring material "G"	1.0718

¹⁾ Data for viscosity of ~1 mm²/s at a density of ~1 kg/dm³. Minimum volumetric flow: 5 to 10 % of nominal delivery rate.

PMS 05, 06, 08, 10 – Immersion pumps, sealless 50 Hz, open impellers



Electrical data, dimensions and weights at 50 Hz

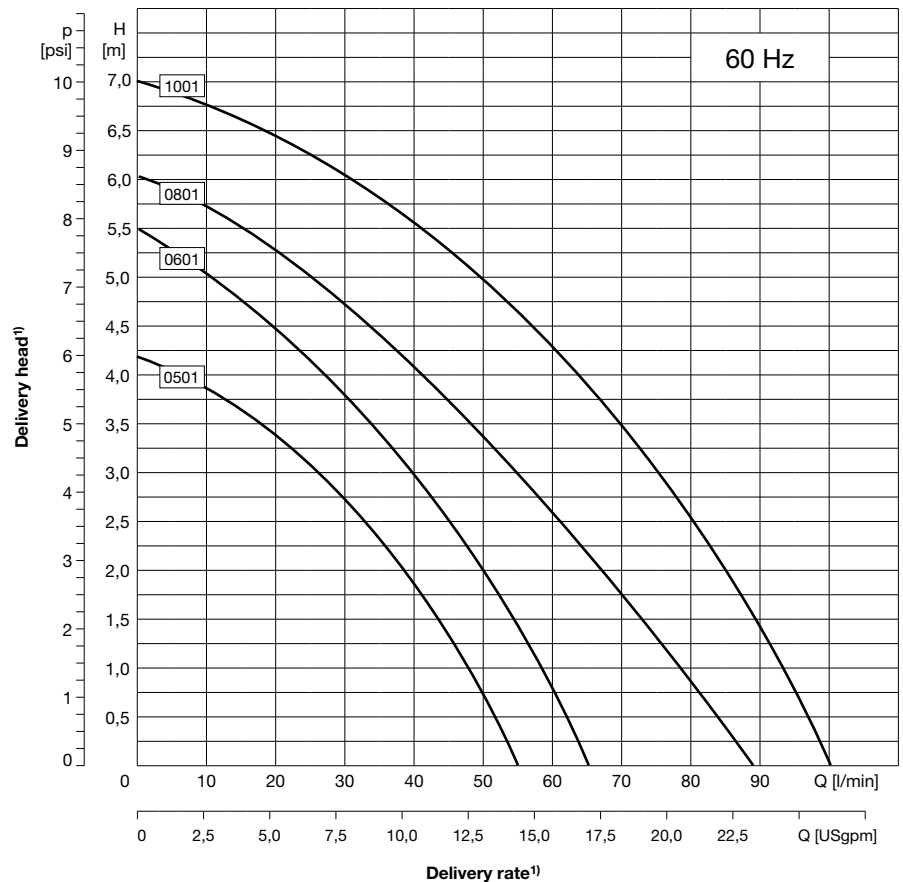
Type of pump			Immer- sion depth t [mm]	Rated motor values					Dimensions [mm]					Weight [kg]	Sonic pressure [dBA]	Pressure port (DIN ISO 228)												
Series	Frame size	Stages		Voltage Δ/Y U [V]	Motor index	Output P_N [kW]	Current Δ/Y I_N [A]	Speed n_N [min ⁻¹]	$\varnothing m$	k	l	$\varnothing a$	b															
PMS	05	01	90	230/400	A	0,09	0,46/0,26	2618	96	89	146	25	70	4,4 – 5,0	46	G $\frac{3}{4}$												
			120																									
			140																									
			170																									
			200																									
			220																									
			250																									
			270																									
	350																											
	06	01	90	230/400	A	0,09	0,46/0,26	2618	96	89	146	25	70	4,4 – 5,0	46													
			120																									
			140																									
			170																									
			200																									
			220																									
			250																									
270																												
350																												
08	01	120	230/400	B	0,12	0,50/0,29	2655	96	89	168	25	70	4,4 – 5,0	55														
		170																										
		220																										
		250																										
		270																										
		350																										
		10													01	90	230/400	C	0,18	0,83/0,48	2788	120	99	160	25	70	6,3 – 7,3	55
																120												
140																												
170																												
200																												
220																												
250																												
270																												
350																												

PMS 05, 06, 08, 10 – Immersion pumps, sealless 60 Hz, open impellers



Merkmale

- Vertical multistage pump
- Connecting dimensions according to DIN EN 12157
- For delivery of slightly contaminated types of fluids
- Installation directly into the reservoir
- Pressure port is located above the reservoir plate and designed with internal thread G3/4
- Unventilated motor



Technical data

Delivery rate Q_{max}	100 l/min
Delivery head H_{max}	7 m
Immersion depth t_{max}	350 mm
Kinematic viscosity	max. 20 mm ² /s
Delivery temperature	
Material "P"	0 °C bis 60 °C
Material "G"	0 °C bis 80 °C
Grain size	max. Ø5 mm
Contamination	max. 10 kg/m ³
Direction of rotation	anti-clockwise (as viewed looking down on the motor's ventilation side)
Fluids delivered	Various industrial use fluids, emulsions, also with chemical additives, oils, water with corrosion protection additive, water colors, heat transfer oils

Mechanical design

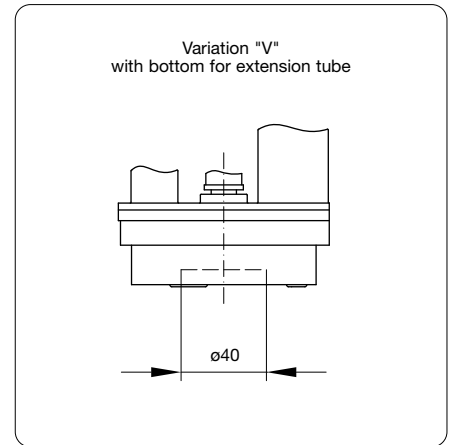
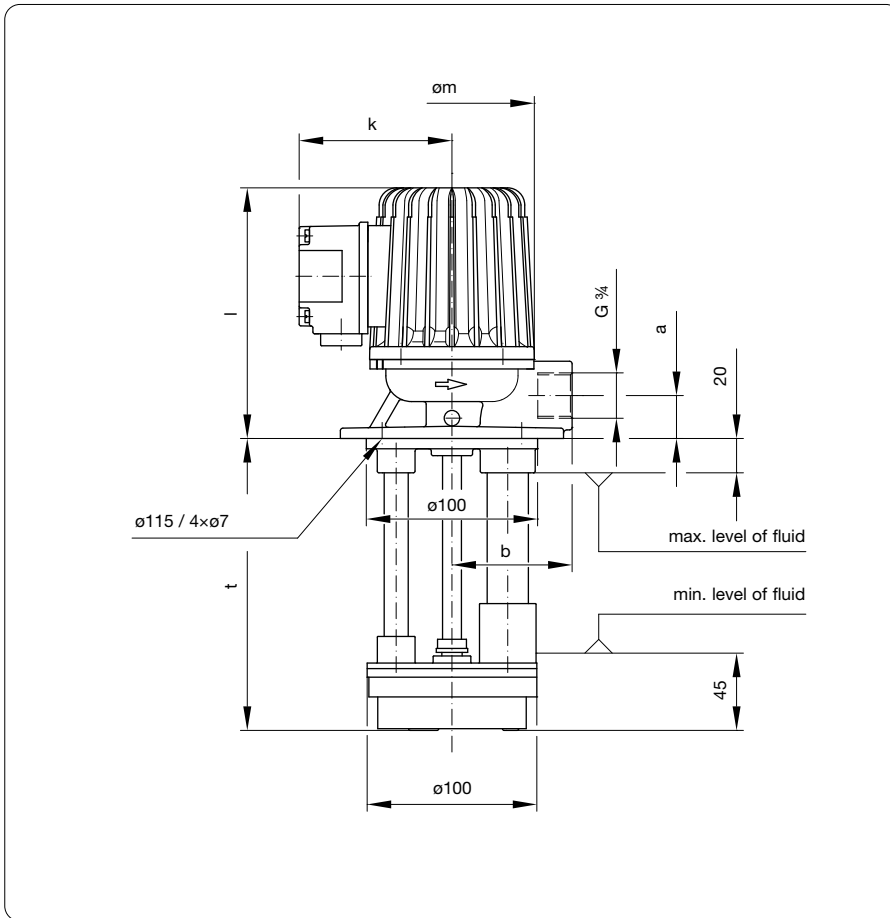
Component	Material
Flange	EN-GJL-200 and steel
Shaft	1.0762
Impeller	POM
Intermediate chamber	EN-GJL-200
Bushes	PTFE graphite
Pumps bottom material "P"	POM
Splash ring material "P"	NBR

Variations

Component	Material
Bottom with extension tube "V"	EN-GJL-200
Impeller material "G"	EN-GJL-200
Bottom standard design "G"	EN-GJL-200
Splash ring material "G"	1.0718

¹⁾ Data for viscosity of ~1 mm²/s at a density of ~1 kg/dm³. Minimum volumetric flow: 5 to 10 % of nominal delivery rate.

PMS 05, 06, 08, 10 – Immersion pumps, sealless 60 Hz, open impellers



Electrical data, dimensions and weights at 60 Hz

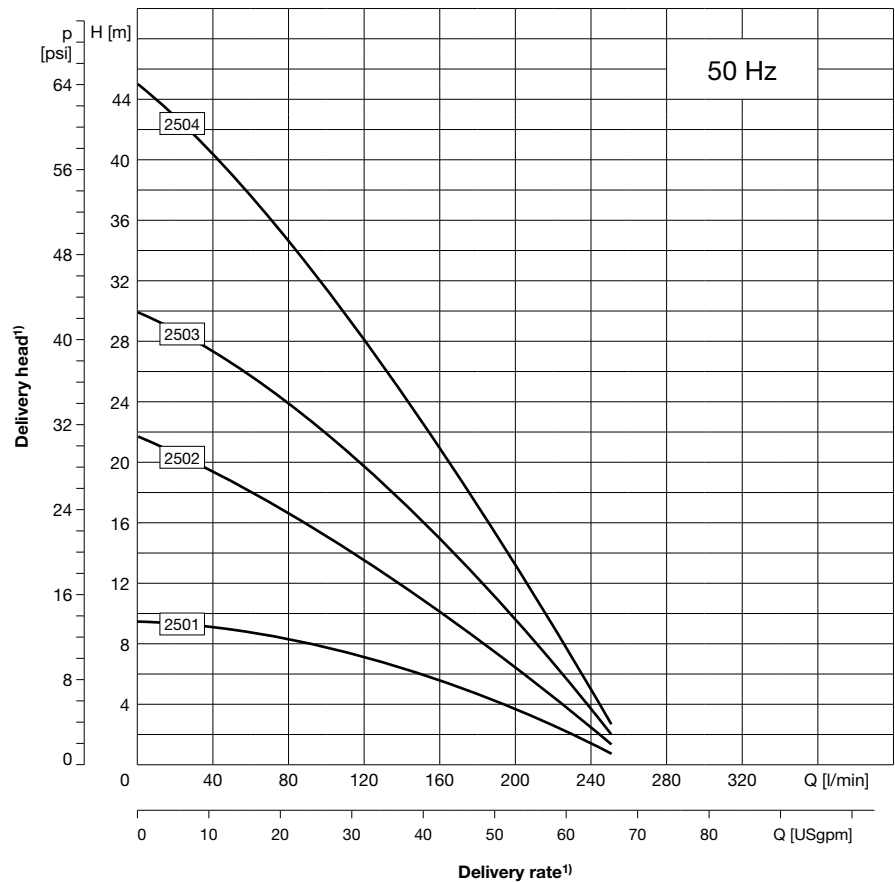
Type of pump			Immer- sion depth t [mm]	Rated motor values					Dimensions [mm]					Weight [kg]	Sonic pressure [dBA]	Pressure port (DIN ISO 228)												
Series	Frame size	Stages		Voltage Δ/Y U [V]	Motor index	Output P _N [kW]	Current Δ/Y I _N [A]	Speed n _N [min ⁻¹]	Øm	k	l	Øa	b															
PMS	05	01	90	265/460	A	0,09	0,46/0,26	3257	96	89	146	25	70	4,4 – 5,0	46	G 3/4												
			120																									
			140																									
			170																									
			200																									
			220																									
			250																									
			270																									
	350																											
	06	01	90	265/460	A	0,09	0,46/0,26	3257	96	89	146	25	70	4,4 – 5,0	46													
			120																									
			140																									
			170																									
			200																									
			220																									
			250																									
270																												
350																												
08	01	120	265/460	B	0,12	0,50/0,29	3320	96	89	168	25	70	4,4 – 5,0	55														
		170																										
		220																										
		250																										
		270																										
		350																										
		10													01	90	265/460	C	0,18	0,83/0,48	3437	120	99	160	25	70	6,3 – 7,3	55
																120												
140																												
170																												
200																												
220																												
250																												
270																												
350																												

PMS 25 – Immersion pumps, sealless 50 Hz, open impellers



Merkmale

- Vertical multistage pump
- Connecting dimensions according to DIN EN 12157
- For delivery of slightly contaminated types of fluids
- Installation directly into the reservoir
- Pressure port is located above the reservoir plate and designed with internal thread G1¼



Technical data

Delivery rate Q_{max}	250 l/min
Delivery head H_{max}	45 m
Immersion depth t_{max}	550 mm
Kinematic viscosity	max. 20 mm ² /s
Delivery temperature	
Material "P"	0 °C bis 60 °C
Material "G"	0 °C bis 80 °C
Grain size	max. Ø8 mm
Contamination	max. 1,5% (proportion by weight)
Direction of rotation	anti-clockwise (as viewed looking down on the motor's ventilation side)
Fluids delivered	Various industrial use fluids, emulsions, also with chemical additives, oils, water with corrosion protection additive, water colors, heat transfer oils

Mechanical design

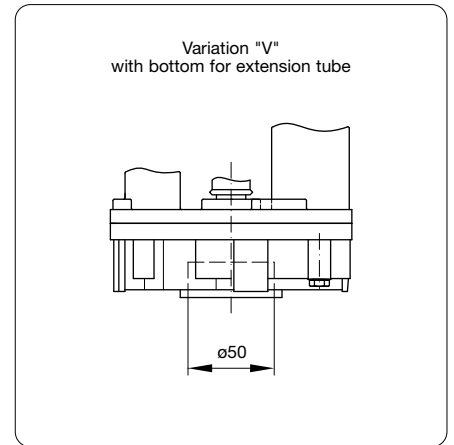
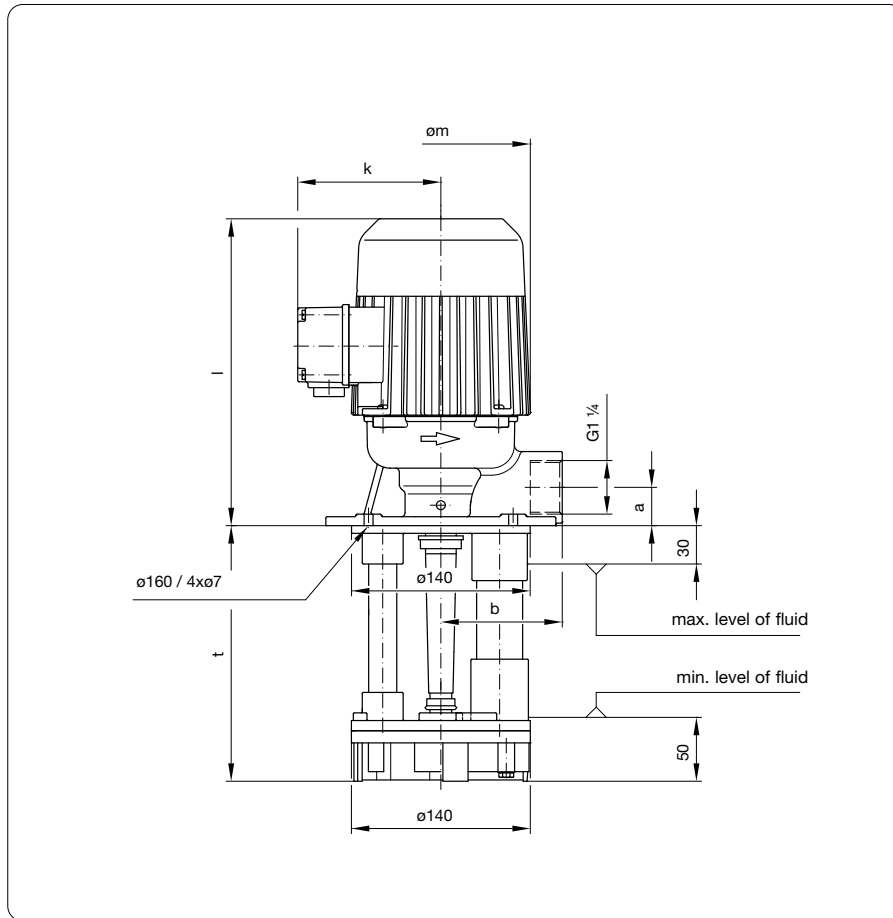
Component	Material
Flange	EN-GJL-200 and steel
Shaft	1.0762
Impeller	POM
Intermediate chamber	EN-GJL-200
Bushes	PTFE graphite
Pumps bottom material "P"	POM
Splash ring material "P"	NBR

Variations

Component	Material
Bottom with extension tube "V"	EN-GJL-200
Impeller material "G"	EN-GJL-200
Bottom standard design "G"	EN-GJL-200
Splash ring material "G"	1.0718

¹⁾ Data for viscosity of ~1 mm²/s at a density of ~1 kg/dm³. Minimum volumetric flow: 5 to 10 % of nominal delivery rate.

PMS 25 – Immersion pumps, sealless 50 Hz, open impellers



Electrical data, dimensions and weights at 50 Hz

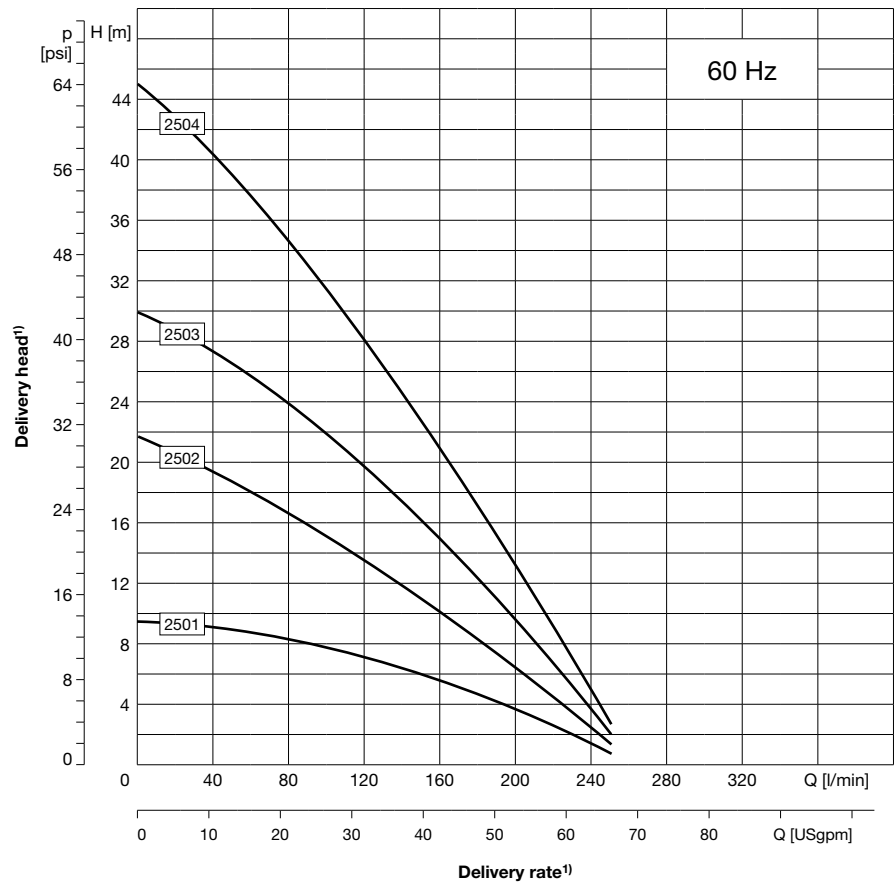
Type of pump			Immer- sion depth t [mm]	Rated motor values					Dimensions [mm]					Weight [kg]	Sonic pressure [dBA]	Pressure port (DIN ISO 228)
Series	Frame size	Stages		Voltage Δ/Y U [V]	Motor index	Output P _N [kW]	Current Δ/Y I _N [A]	Speed n _N [min ⁻¹]	Øm	k	l	Øa	b			
PMS	25	01	170	230/400	F	0,55	2,06/1,19	2836	140	114	241	30	95	13,2 – 16,3	59	G1¼
			200													
			270													
			350													
			440													
		550														
		02	270	230/400	J	1,5	4,95/2,86	2850	176	149	332	32	100	24,0 – 27,5	59	
			310													
			350													
			390													
		03	480	230/400	J	1,5	4,95/2,86	2850	176	149	332	32	100	26,5 – 29,0	65	
			310													
			350													
04	390	230/400	L	3,0	10,0/5,75	2885	196	155	352	32	100	31,0	65			
	430															

PMS 25 – Immersion pumps, sealless 60 Hz, open impellers



Merkmale

- Vertical multistage pump
- Connecting dimensions according to DIN EN 12157
- For delivery of slightly contaminated types of fluids
- Installation directly into the reservoir
- Pressure port is located above the reservoir plate and designed with internal thread G1¼



Technical data

Delivery rate Q_{max}	250 l/min
Delivery head H_{max}	45 m
Immersion depth t_{max}	550 mm
Kinematic viscosity	max. 20 mm ² /s
Delivery temperature	
Material "P"	0 °C bis 60 °C
Material "G"	0 °C bis 80 °C
Grain size	max. Ø8 mm
Contamination	max. 1,5% (proportion by weight)
Direction of rotation	anti-clockwise (as viewed looking down on the motor's ventilation side)
Fluids delivered	Various industrial use fluids, emulsions, also with chemical additives, oils, water with corrosion protection additive, water colors, heat transfer oils

Mechanical design

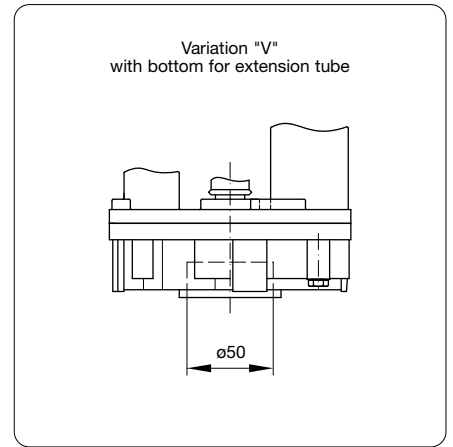
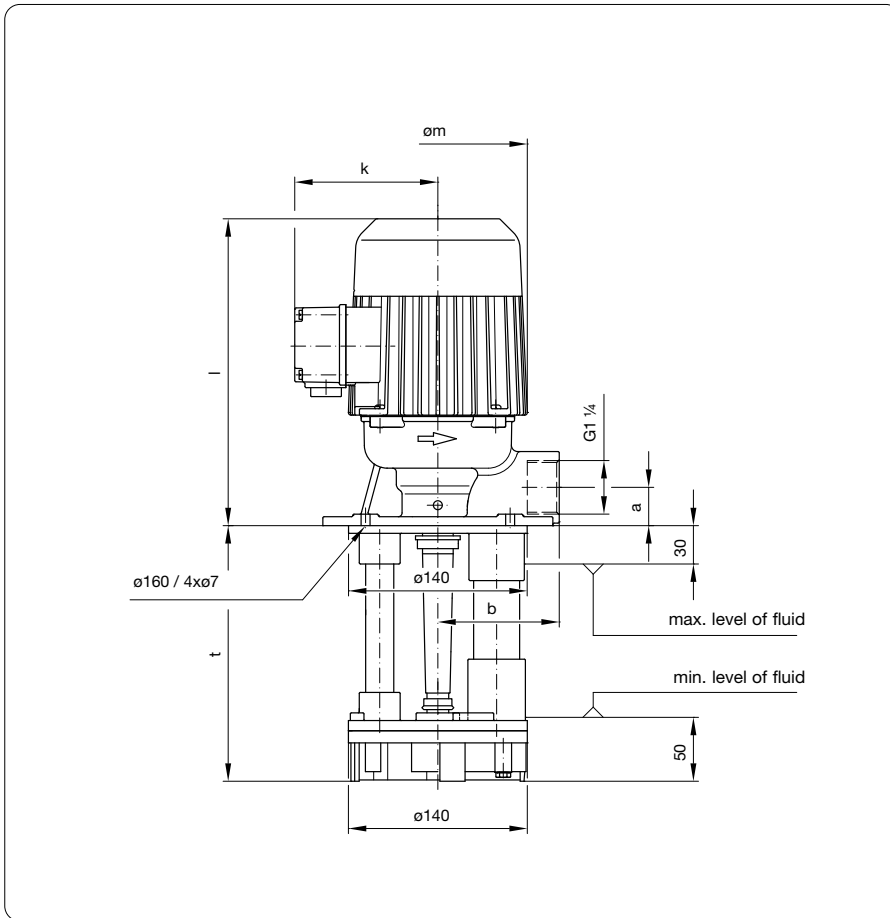
Component	Material
Flange	EN-GJL-200 and steel
Shaft	1.0762
Impeller	POM
Intermediate chamber	EN-GJL-200
Bushes	PTFE graphite
Pumps bottom material "P"	POM
Splash ring material "P"	NBR

Variations

Component	Material
Bottom with extension tube "V"	EN-GJL-200
Impeller material "G"	EN-GJL-200
Bottom standard design "G"	EN-GJL-200
Splash ring material "G"	1.0718

¹⁾ Data for viscosity of ~1 mm²/s at a density of ~1 kg/dm³. Minimum volumetric flow: 5 to 10 % of nominal delivery rate.

PMS 25 – Immersion pumps, sealless 60 Hz, open impellers



Electrical data, dimensions and weights at 60 Hz

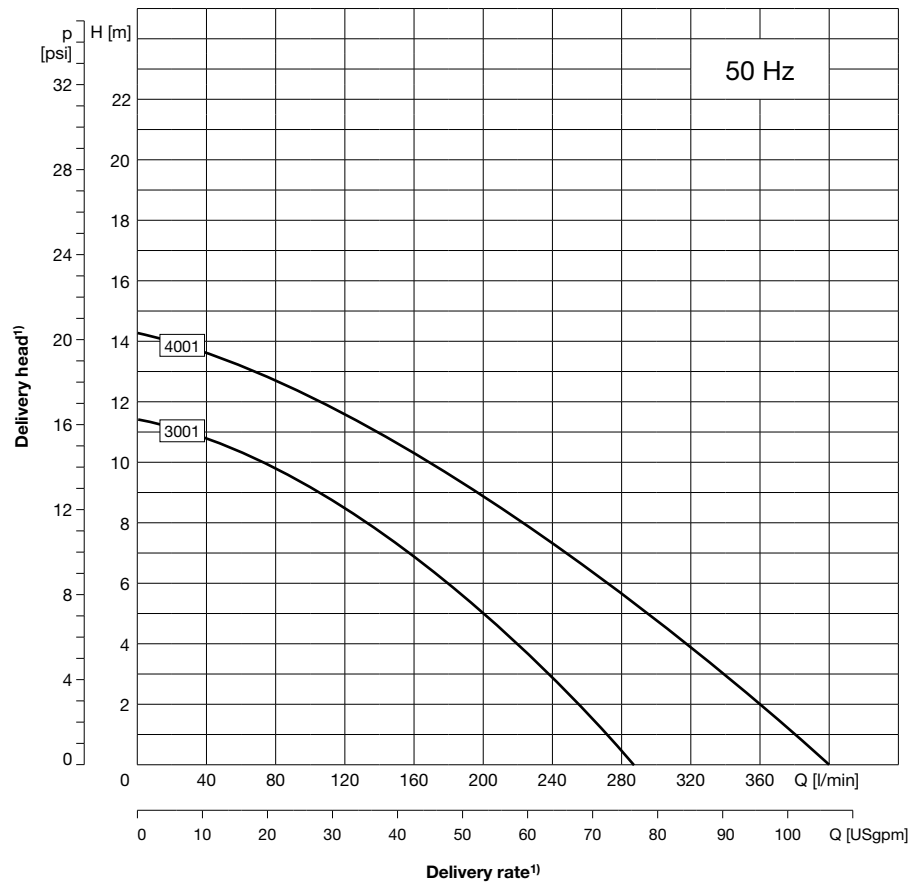
Type of pump			Immer- sion depth t [mm]	Rated motor values					Dimensions [mm]					Weight [kg]	Sonic pressure [dBA]	Pressure port (DIN ISO 228)
Series	Frame size	Stages		Voltage Δ/Y U [V]	Motor index	Output P _N [kW]	Current Δ/Y I _N [A]	Speed n _N [min ⁻¹]	Øm	k	l	Øa	b			
PMS	25	01	170	265/460	F	0,55	1,75/1,01	3446	140	114	241	30	95	13,2 – 16,3	59	G1¼
			200													
			270													
			350													
			440													
		550														
		02	270	265/460	J	1,5	4,33/2,5	3465	176	149	332	32	100	24,0 – 27,5	59	
			310													
			350													
			390													
		03	480	265/460	J	1,5	4,33/2,5	3465	176	149	332	32	100	26,5 – 29,0	65	
			310													
			350													
04	390	265/460	L	3,0	8,65/5,0	3505	196	155	352	32	100	31,0	65			
	430															

PMS 30, 40 – Immersion pumps, sealless 50 Hz, open impellers



Merkmale

- Vertical multistage pump
- Connecting dimensions according to DIN EN 12157
- For delivery of slightly contaminated types of fluids
- Installation directly into the reservoir
- Pressure port is located above the reservoir plate and designed with internal thread G1¼



Technical data

Delivery rate Q_{max}	400 l/min
Delivery head H_{max}	14 m
Immersion depth t_{max}	560 mm
Kinematic viscosity	max. 20 mm ² /s
Delivery temperature	
Material "P"	0 °C bis 60 °C
Material "G"	0 °C bis 80 °C
Grain size	max. Ø8 mm
Contamination	max. 1,5% (proportion by weight)
Direction of rotation	anti-clockwise (as viewed looking down on the motor's ventilation side)
Fluids delivered	Various industrial use fluids, emulsions, also with chemical additives, oils, water with corrosion protection additive, water colors, heat transfer oils

Mechanical design

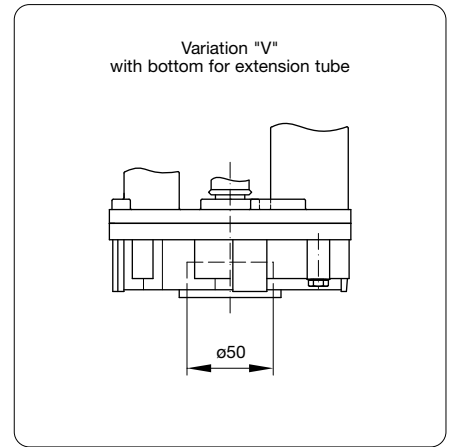
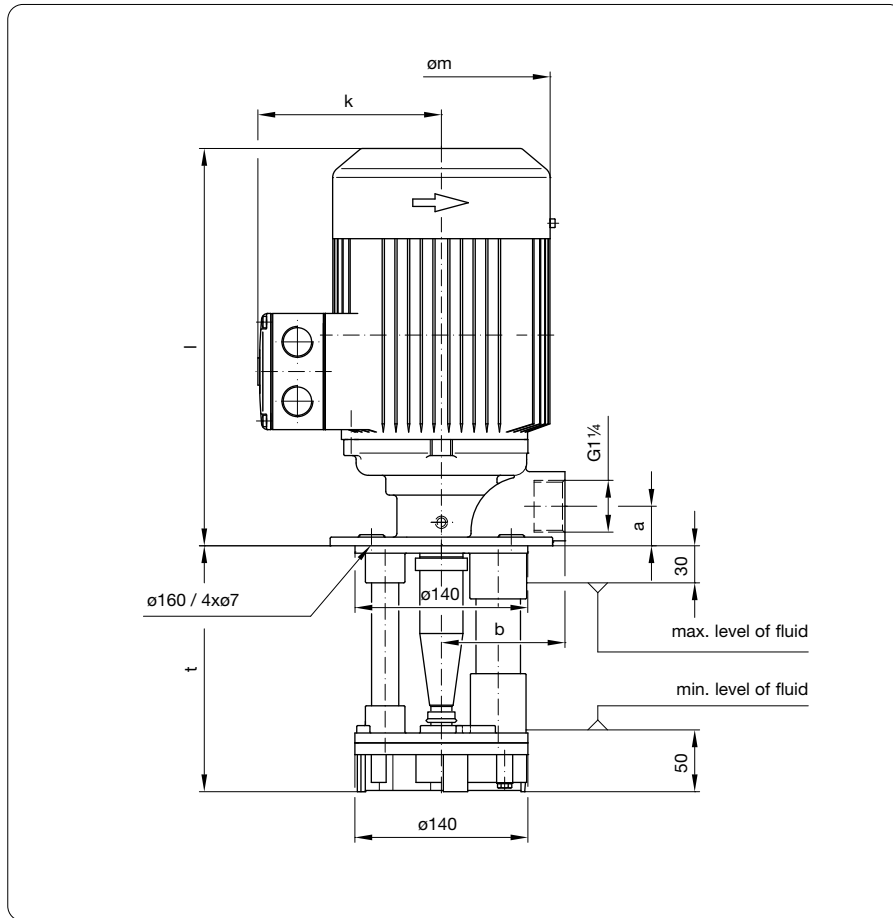
Component	Material
Flange	EN-GJL-200 and steel
Shaft	1.0762
Impeller	POM
Intermediate chamber	EN-GJL-200
Bushes	PTFE graphite
Pumps bottom material "P"	POM
Splash ring material "P"	NBR

Variations

Component	Material
Bottom with extension tube "V"	EN-GJL-200
Impeller material "G"	EN-GJL-200
Bottom standard design "G"	EN-GJL-200
Splash ring material "G"	1.0718

¹⁾ Data for viscosity of ~1 mm²/s at a density of ~1 kg/dm³. Minimum volumetric flow: 5 to 10 % of nominal delivery rate.

PMS 30, 40 – Immersion pumps, sealless 50 Hz, open impellers



Electrical data, dimensions and weights at 50 Hz

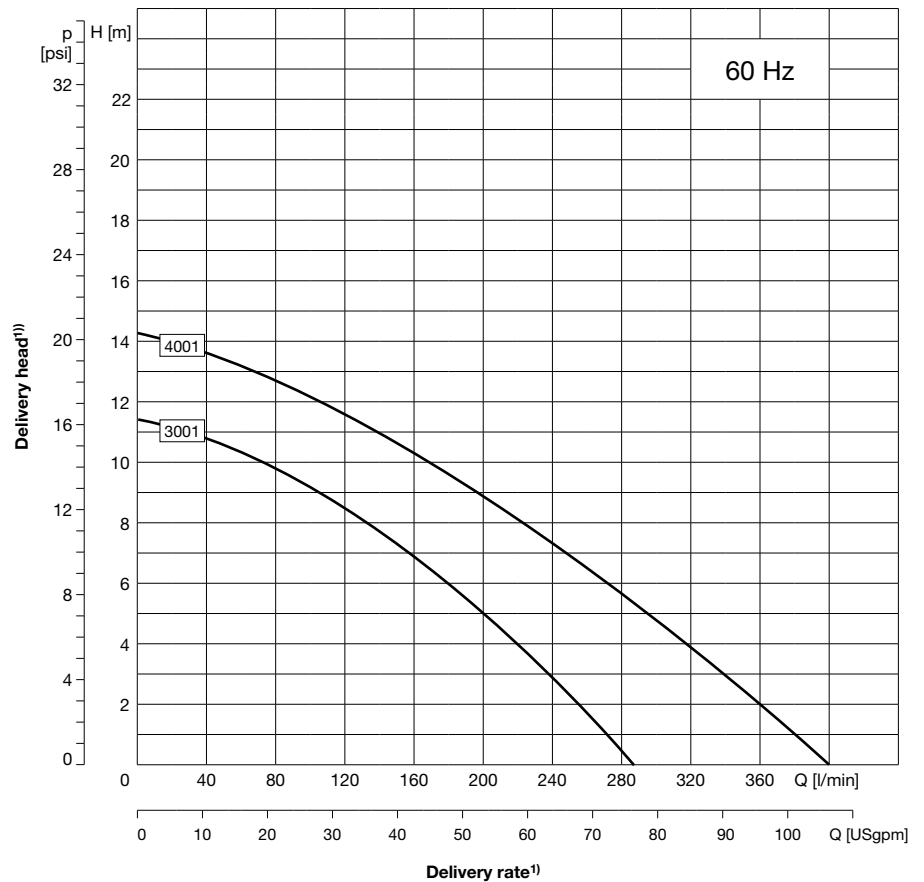
Type of pump			Immer- sion depth t [mm]	Rated motor values					Dimensions [mm]					Weight [kg]	Sonic pressure [dBA]	Pressure port (DIN ISO 228)
Series	Frame size	Stages		Voltage Δ/Y U [V]	Motor index	Output P _N [kW]	Current Δ/Y I _N [A]	Speed n _N [min ⁻¹]	Øm	k	l	Øa	b			
PMS	30	01	170	230/400	G	0,63	2,56/1,48	2870	140	114	241	30	95	13,2 – 16,3	59	G1¼
			200													
			270													
			350													
			440													
	550															
	40	01	210	230/400	J	1,5	4,95/2,86	2850	176	149	332	32	100	23,0 – 26,0	65	
			240													
			280													
			320													
360																
560																

PMS 30, 40 – Immersion pumps, sealless 60 Hz, open impellers



Merkmale

- Vertical multistage pump
- Connecting dimensions according to DIN EN 12157
- For delivery of slightly contaminated types of fluids
- Installation directly into the reservoir
- Pressure port is located above the reservoir plate and designed with internal thread G1¼



Technical data

Delivery rate Q_{max}	400 l/min
Delivery head H_{max}	14 m
Immersion depth t_{max}	560 mm
Kinematic viscosity	max. 20 mm ² /s
Delivery temperature	
Material "P"	0 °C bis 60 °C
Material "G"	0 °C bis 80 °C
Grain size	max. Ø8 mm
Contamination	max. 1,5% (proportion by weight)
Direction of rotation	anti-clockwise (as viewed looking down on the motor's ventilation side)
Fluids delivered	Various industrial use fluids, emulsions, also with chemical additives, oils, water with corrosion protection additive, water colors, heat transfer oils

Mechanical design

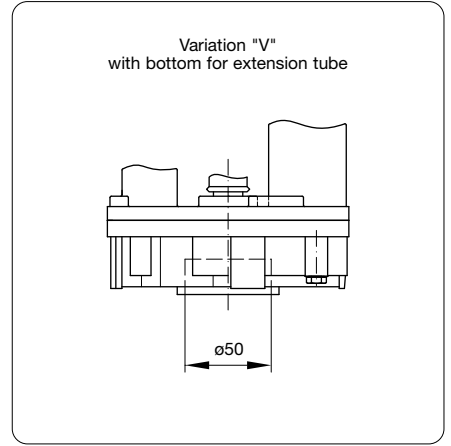
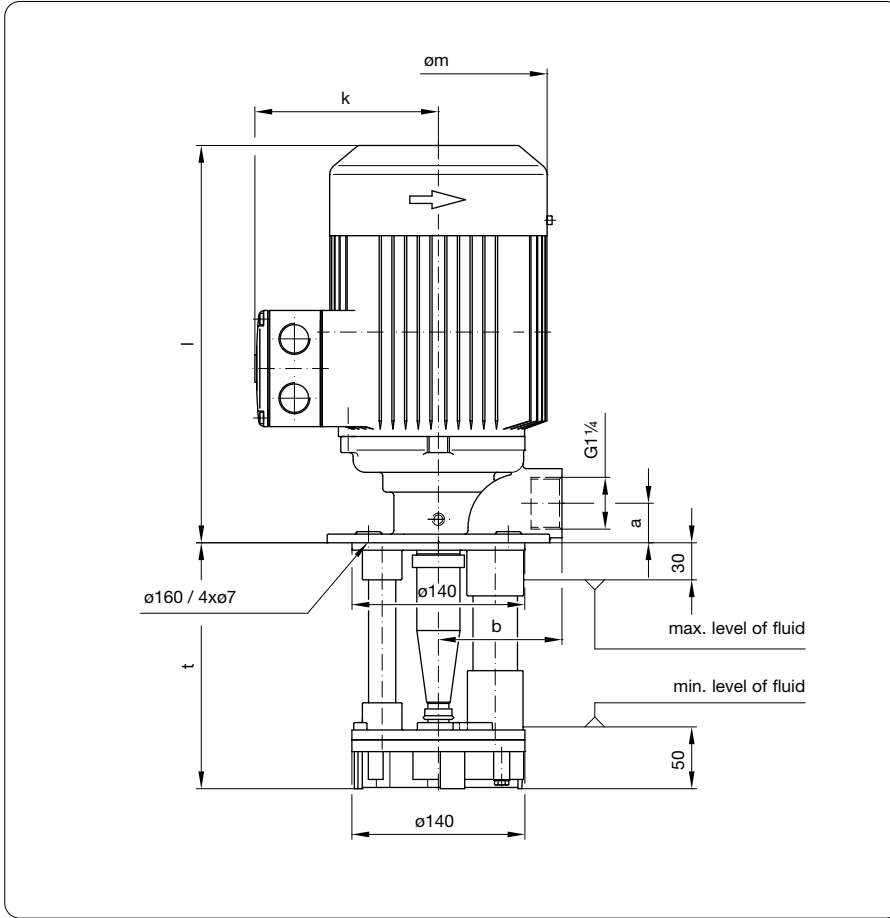
Component	Material
Flange	EN-GJL-200 and steel
Shaft	1.0762
Impeller	POM
Intermediate chamber	EN-GJL-200
Bushes	PTFE graphite
Pumps bottom material "P"	POM
Splash ring material "P"	NBR

Variations

Component	Material
Bottom with extension tube "V"	EN-GJL-200
Impeller material "G"	EN-GJL-200
Bottom standard design "G"	EN-GJL-200
Splash ring material "G"	1.0718

¹⁾ Data for viscosity of ~1 mm²/s at a density of ~1 kg/dm³. Minimum volumetric flow: 5 to 10 % of nominal delivery rate.

PMS 30, 40 – Immersion pumps, sealless 60 Hz, open impellers



Electrical data, dimensions and weights at 60 Hz

Type of pump			Immer- sion depth t [mm]	Rated motor values					Dimensions [mm]					Weight [kg]	Sonic pressure [dBA]	Pressure port (DIN ISO 228)
Series	Frame size	Stages		Voltage Δ/Y U [V]	Motor index	Output P _N [kW]	Current Δ/Y I _N [A]	Speed n _N [min ⁻¹]	Øm	k	l	Øa	b			
PMS	30	01	170	265/460	G	0,73	2,27/1,31	3410	140	114	241	30	95	13,2 bis 16,3	59	G1¼
			200													
			270													
			350													
			440													
	40	01	210	265/460	J	1,5	4,33/2,5	3465	176	149	332	32	100	23,0 bis 26,0	65	
			240													
			280													
			320													
			360													
			560													

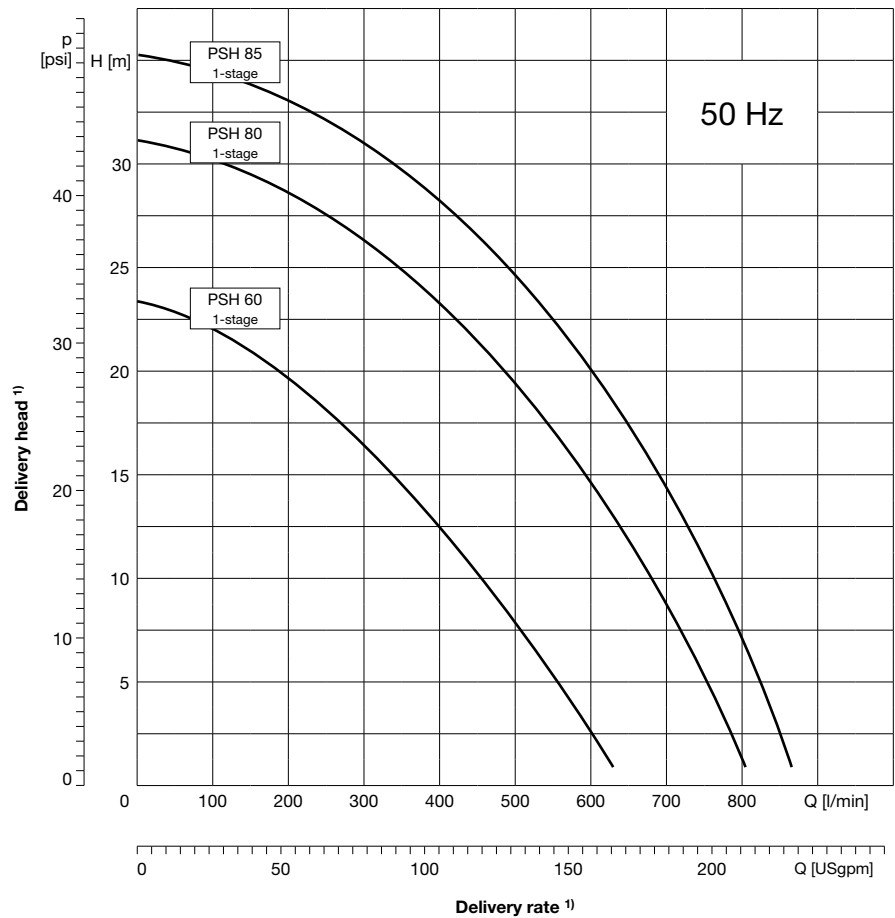
PSH – Immersion pumps, sealless

50 Hz, singlestage, open impellers



Features

- Vertical singlestage centrifugal pump
- For delivery of for highly contaminated fluids
- Installation directly into the reservoir
- Pressure port is located above the reservoir plate
- Pressure port is designed with internal thread G1¼ (single stage)



Technical Data

Delivery rate Q_{max}	860 l/min
Delivery head H_{max}	32 m
Immersion depth t_{max}	550 mm
Kinematic viscosity	max. 30 mm ² /s
Delivery temperature	-30°C to +80°C
Grain size	max. Ø8 mm
Contamination	max. 9,5 kg/m ³
Direction of rotation	clockwise (as viewed looking down on the motor's ventilation side)
Fluids delivered	Emulsions, cooling and cutting oils, water with antirust additive, heat transfer oils

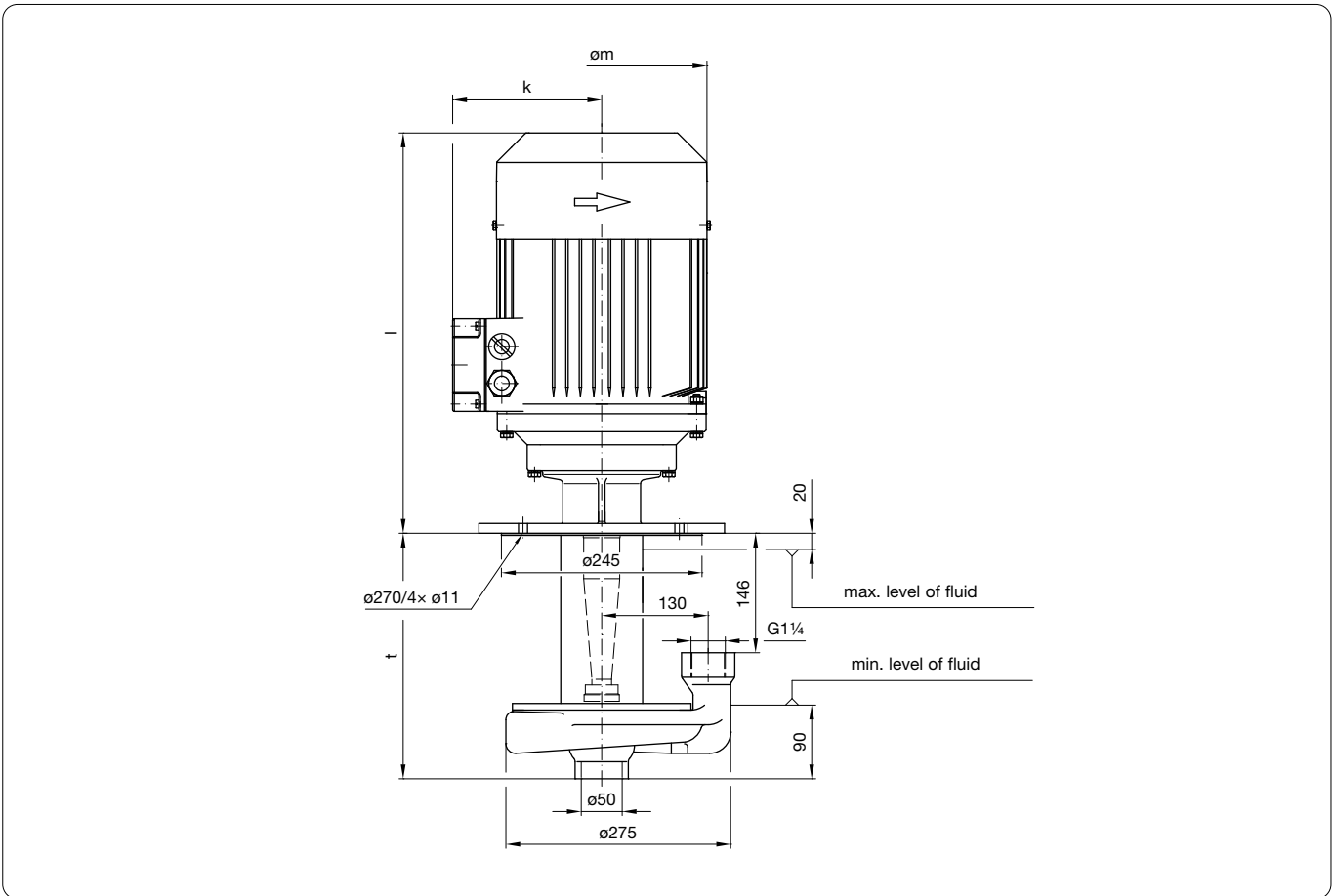
Mechanical design

Component	Material
Flange	EN-GJL-200
Shaft	1.0762
Impeller	EN-GJL-200
Intermediate chamber	EN-GJL-200
Intermediate part	Aluminum (Al Cu Mg Pb F 38)
Pumps bottom	EN-GJL-200
Spray ring	1.0503

¹⁾ Data for viscosity of ~1 mm²/s at a density of ~1 kg/dm³. Minimum volumetric flow: 5 to 10 % of nominal delivery rate.

PSH – Immersion pumps, sealless

50 Hz, singlestage, open impellers



Electrical data, dimensions and weights at 50 Hz

Type of pump			Immer- sion depth t [mm]	Rated motor values					Dimensions [mm]			Weight [kg]	Sonic pressure [dBA]	Pressure port (DIN ISO 228)
Series	Frame size	Stages		Voltage Δ/Y U [V]	Motor index	Output P_N [kW]	Current $\Delta/Y I_N$ [A]	Speed n_N [min ⁻¹]	$\varnothing m$	k	l			
PSH	60	01	300	230/400	L	3,0	10,0/5,75	2885	196	155	392	42,5	68-74	G1 $\frac{1}{4}$
			550									55,5		
	80	01	300	Δ 400	N	5,5	Δ 11,2	2900	257	182	488	65,2	68-75	G1 $\frac{1}{4}$
			550									78,2		
	85	01	300	Δ 400	N	5,5	Δ 11,2	2900	257	182	488	65,2	68-75	G1 $\frac{1}{4}$
			550									78,2		

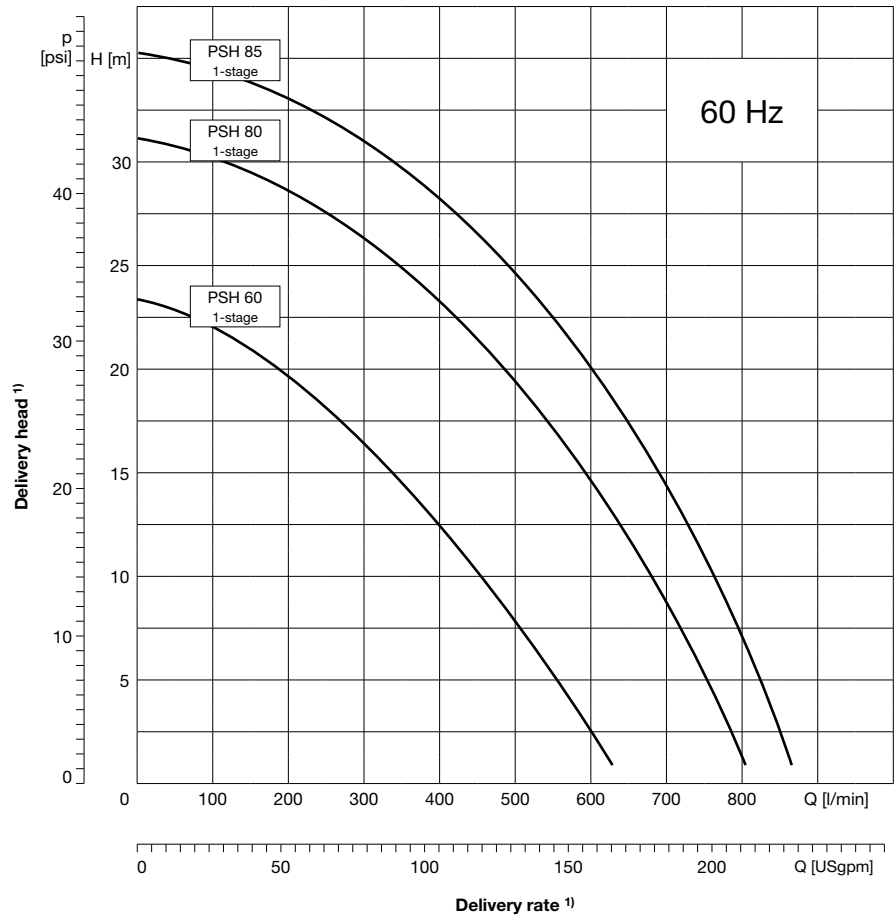
PSH – Immersion pumps, sealless

60 Hz, singlestage, open impellers



Features

- Vertical singlestage centrifugal pump
- For delivery of for highly contaminated fluids
- Installation directly into the reservoir
- Pressure port is located above the reservoir plate
- Pressure port is designed with internal thread G1¼ (single stage)



Technical Data

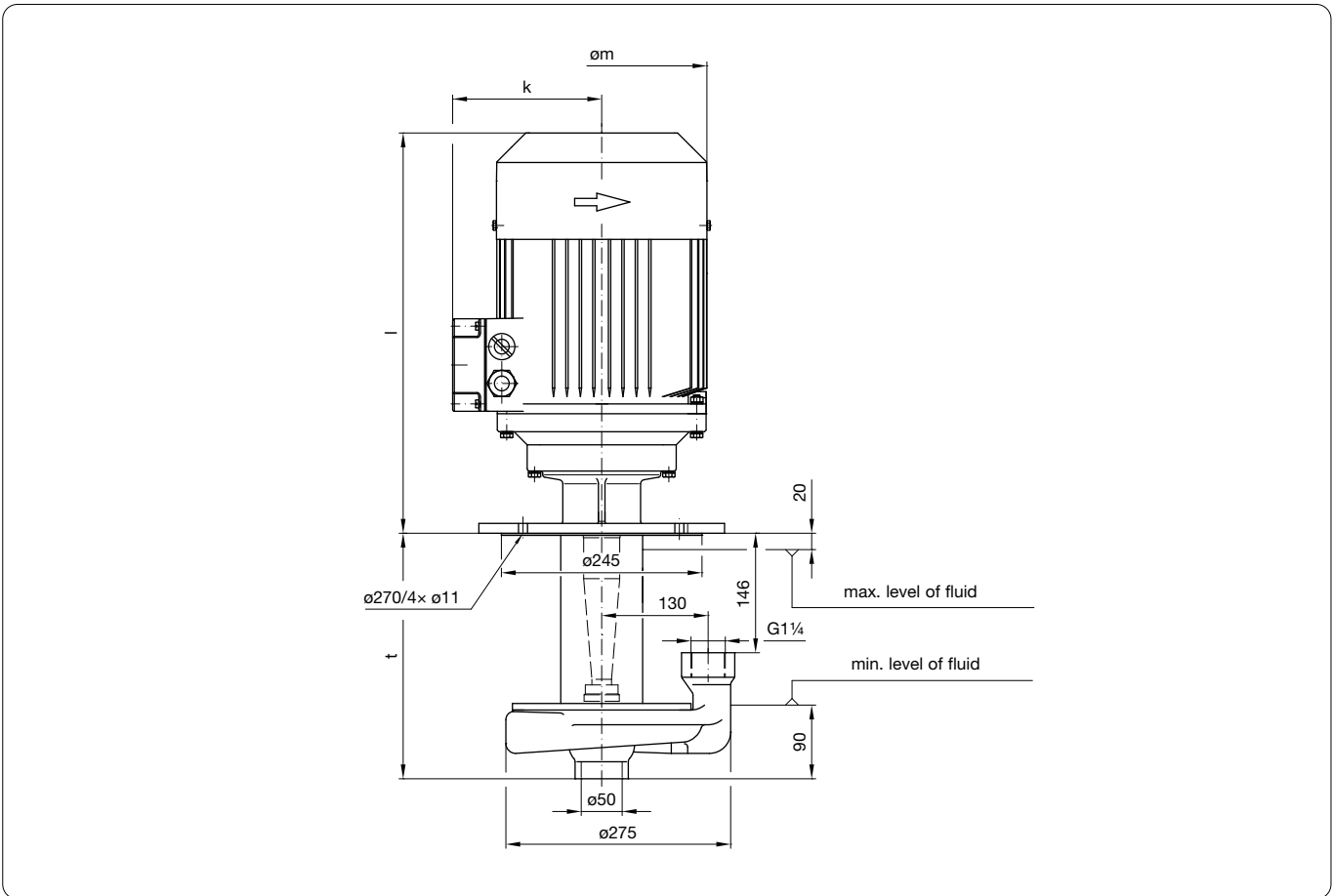
Delivery rate Q_{max}	860 l/min
Delivery head H_{max}	32 m
Immersion depth t_{max}	550 mm
Kinematic viscosity	max. 30 mm ² /s
Delivery temperature	-30°C to +80°C
Grain size	max. Ø8 mm
Contamination	max. 9,5 kg/m ³
Direction of rotation	clockwise (as viewed looking down on the motor's ventilation side)
Fluids delivered	Emulsions, cooling and cutting oils, water with antirust additive, heat transfer oils

Mechanical design

Component	Material
Flange	EN-GJL-200
Shaft	1.0762
Impeller	EN-GJL-200
Intermediate chamber	EN-GJL-200
Intermediate part	Aluminum (Al Cu Mg Pb F 38)
Pumps bottom	EN-GJL-200
Spray ring	1.0503

PSH – Immersion pumps, sealless

60 Hz, singlestage, open impellers



Electrical data, dimensions and weights at 60 Hz

Type of pump			Immer- sion depth t [mm]	Rated motor values					Dimensions [mm]			Weight [kg]	Sonic pressure [dBA]	Pressure port (DIN ISO 228)
Series	Frame size	Stages		Voltage Δ/Y U [V]	Motor index	Output P_N [kW]	Current $\Delta/Y I_N$ [A]	Speed n_N [min ⁻¹]	$\varnothing m$	k	l			
PSH	60	01	300	265/460	L	3,6	10,0/5,75	3500	196	155	392	42,5	68-74	G1 $\frac{1}{4}$
			550									55,5		
	80	01	300	Δ 460	N	6,2	Δ 11,2	3480	257	182	488	65,2	68-75	G1 $\frac{1}{4}$
			550									78,2		
	85	01	300	Δ 460	N	6,2	Δ 11,2	3480	257	182	488	65,2	68-75	G1 $\frac{1}{4}$
			550									78,2		

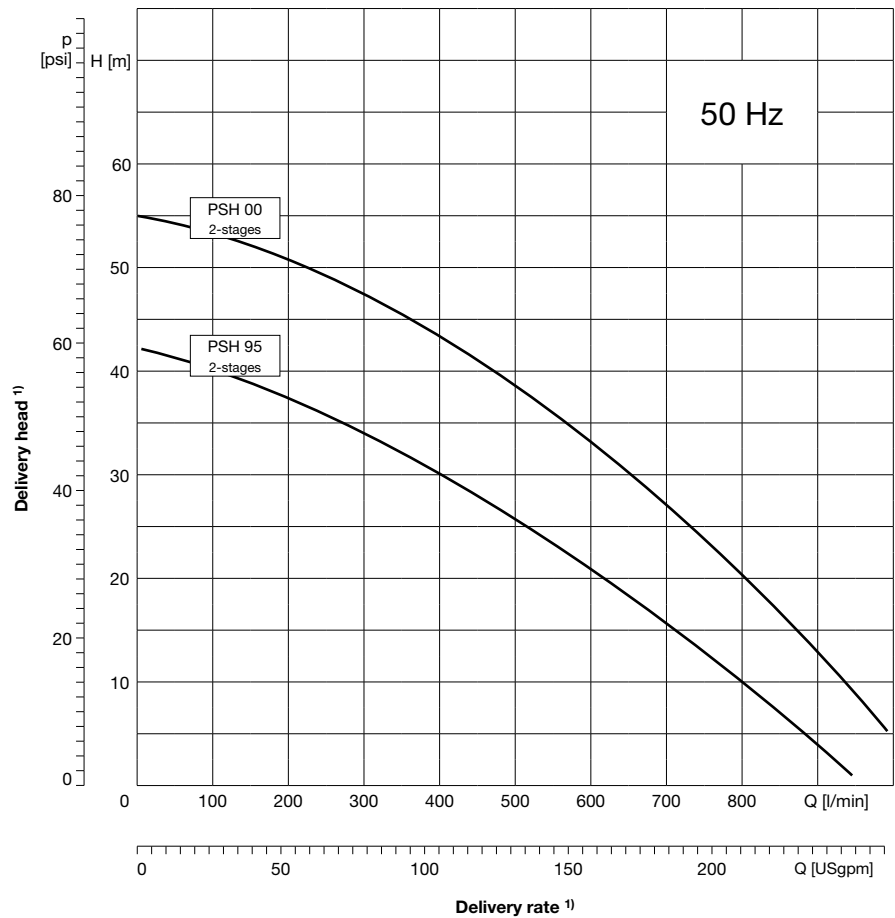
PSH – Immersion pumps, sealless

50 Hz, dualstage, open impellers



Features

- Vertical multistage centrifugal pump
- For delivery of for highly contaminated fluids
- Installation directly into the reservoir
- Pressure port is located above the reservoir plate
- Pressure port is designed with internal thread G1½ (dual stages)



Technical Data

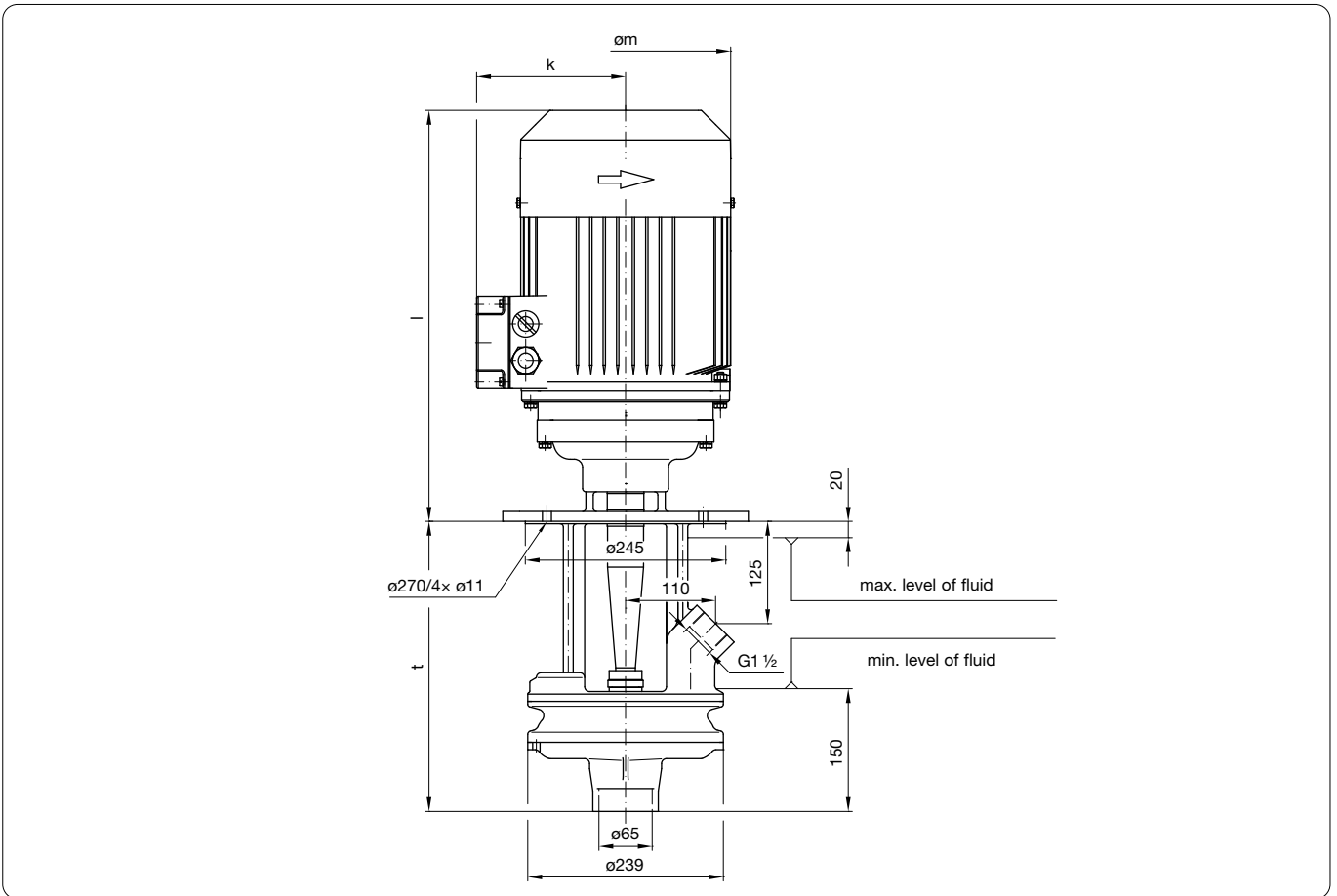
Delivery rate Q_{max}	1000 l/min
Delivery head H_{max}	54 m
Immersion depth t_{max}	350 mm
Kinematic viscosity	max. 30 mm ² /s
Delivery temperature	-30°C to +80°C
Grain size	max. Ø8 mm
Contamination	max. 9,5 kg/m ³
Direction of rotation	clockwise (as viewed looking down on the motor's ventilation side)
Fluids delivered	Emulsions, cooling and cutting oils, water with antirust additive, heat transfer oils

Mechanical design

Component	Material
Flange	EN-GJL-200
Shaft	1.0762
Impeller	EN-GJL-200
Intermediate chamber	EN-GJL-200
Intermediate part	Aluminum (Al Cu Mg Pb F 38)
Pumps bottom	EN-GJL-200
Spray ring	1.0503

¹⁾ Data for viscosity of ~1 mm²/s at a density of ~1 kg/dm³. Minimum volumetric flow: 5 to 10 % of nominal delivery rate.

PSH – Immersion pumps, sealless
50 Hz, dualstage, open impellers



Electrical data, dimensions and weights at 50 Hz

Type of pump			Immer- sion depth t [mm]	Rated motor values					Dimensions [mm]			Weight [kg]	Sonic pressure [dBA]	Pressure port (DIN ISO 228)
Series	Frame size	Stages		Voltage Δ/Y U [V]	Motor index	Output P_N [kW]	Current Δ/Y I_N [A]	Speed n_N [min ⁻¹]	$\varnothing m$	k	l			
PSH	95	02	350	Δ 400	O	7,5	Δ 14,5	2900	257	182	501	77,9	72-75	G1 1/2
	00	02	350	Δ 400	P	11,0	Δ 21	2920	257	182	539	115,2	75-79	

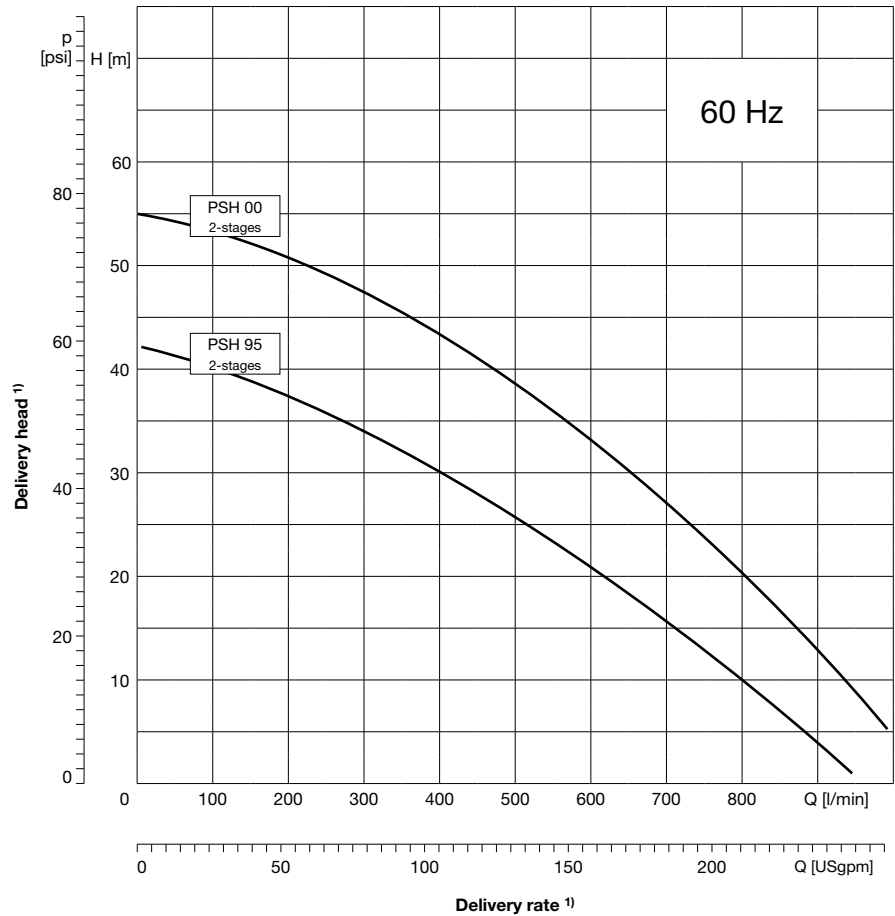
PSH – Immersion pumps, sealless

60 Hz, dualstage, open impellers



Features

- Vertical multistage centrifugal pump
- For delivery of for highly contaminated fluids
- Installation directly into the reservoir
- Pressure port is located above the reservoir plate
- Pressure port is designed with internal thread G1½ (dual stages)



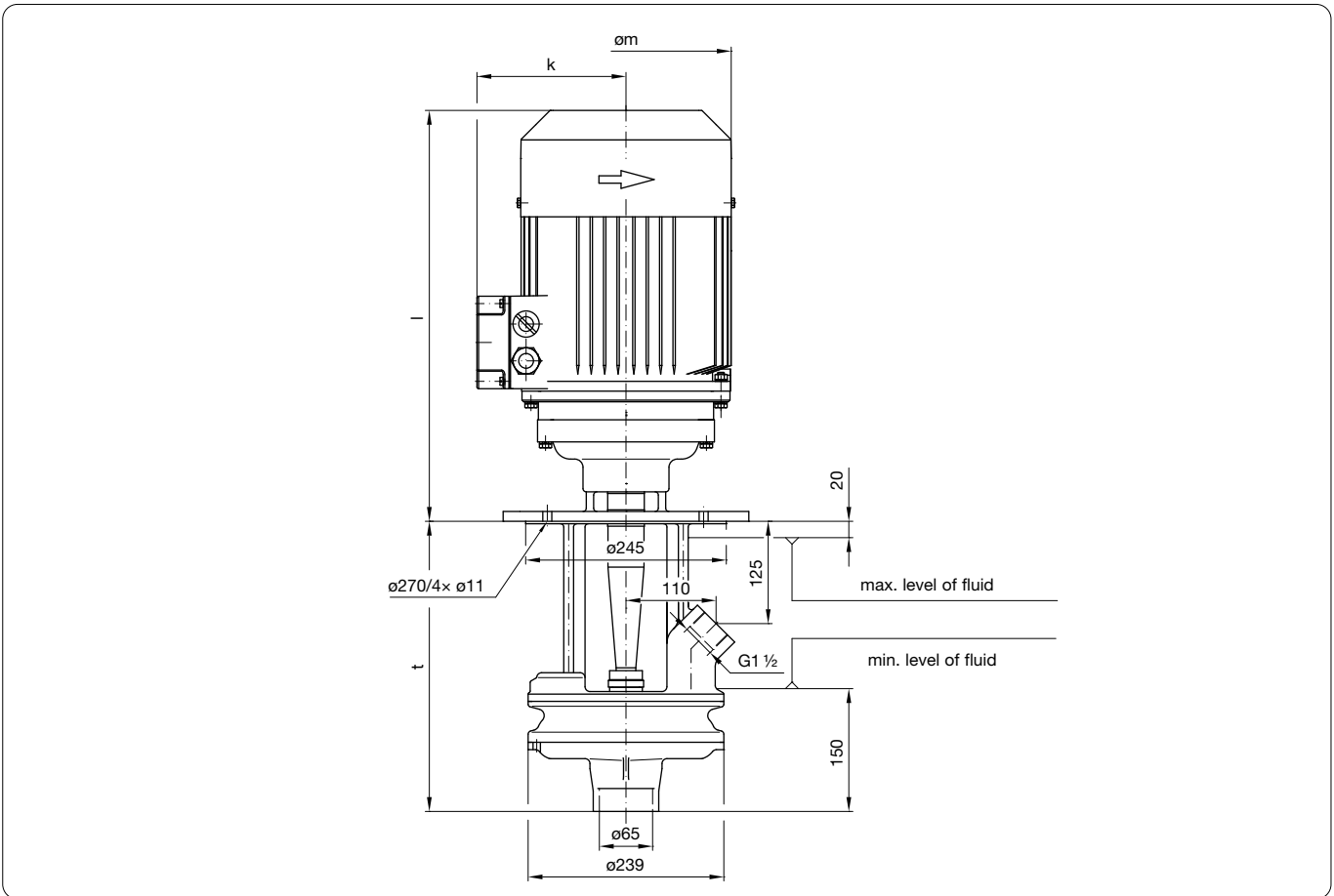
Technical Data

Delivery rate Q_{max}	1000 l/min
Delivery head H_{max}	54 m
Immersion depth t_{max}	350 mm
Kinematic viscosity	max. 30 mm ² /s
Delivery temperature	-30°C to +80°C
Grain size	max. Ø8 mm
Contamination	max. 9,5 kg/m ³
Direction of rotation	clockwise (as viewed looking down on the motor's ventilation side)
Fluids delivered	Emulsions, cooling and cutting oils, water with antirust additive, heat transfer oils

Mechanical design

Component	Material
Flange	EN-GJL-200
Shaft	1.0762
Impeller	EN-GJL-200
Intermediate chamber	EN-GJL-200
Intermediate part	Aluminum (Al Cu Mg Pb F 38)
Pumps bottom	EN-GJL-200
Spray ring	1.0503

PSH – Immersion pumps, sealless
60 Hz, dualstage, open impellers



Electrical data, dimensions and weights at 60 Hz

Type of pump			Immer- sion depth t [mm]	Rated motor values					Dimensions [mm]			Weight [kg]	Sonic pressure [dBA]	Pressure port (DIN ISO 228)
Series	Frame size	Stages		Voltage Δ/Y U [V]	Motor index	Output P_N [kW]	Current Δ/Y I_N [A]	Speed n_N [min ⁻¹]	$\varnothing m$	k	l			
PSH	95	02	350	Δ 460	O	8,6	Δ 14,5	3480	257	182	501	77,9	72-75	G1½
	00	02	350	Δ 460	P	12,5	Δ 21	3500	257	182	539	115,2	75-79	

PSH

PRG – Immersion pumps, sealless

Order key

PRG

P	R	G																
---	---	---	--	--	--	--	--	--	--	--	--	--	--	--	--	--	--	--

Series

Frame size

06

Stages

To determine the desired number of stages the corresponding characteristics has to be used.

01 = 1-stage

...

04 = 4-stages

Materials

P = POM (standard)

Seal

B = gap bush (standard)

Pump design

S = standard design**I** = intruder

Immersion depth in

To determine the desired immersion depth the appropriate table "Electrical data, dimensions and weights" has to be used.

120 = 120 mm

...

320 = 320 mm

Motorindex

To determine the desired immersion depth the appropriate table "Electrical data, dimensions and weights" has to be used.

Example:

E = 0,37 kW

Power supply

01 = 230/400 V at 50 Hz

265/460 V at 60Hz

05 = **standard for Europe**

230/400 V 50 Hz

... further designs on request

Motor index

AA = standard to 0,55 kW (insulation class F, IP 54, 2-pole)**EA** = single-phase motor

... further designs on request

Order example: PRG0602PBS160B05AA

Series:: **PRG**, frame size: **06**, **02**-stages, material: **P** POM plastic, seal:: **B** bush, Pump design: **S** standard design, immersion depth: **160** mm, Motor index: **B** 0,12 kW, Power supply: **05** 230/400 V 50 Hz; Motor design: **AA** standard



PRK – Immersion pumps, hydrostatic sealing

Order key



Series

Frame size

03

Stages

To determine the desired number of stages the corresponding characteristics has to be used.

01 = 1 stage

...

05 = 5 stages

Materials

P = POM (standard))

Seal

B = gap bush (standard)

Pump design

S = standard design (bottom prepared for extension tube)

C = bottom equipped with intake strainer

Immersion depth in mm

To determine the desired immersion depth the appropriate table "Electrical data, dimensions and weights" has to be used.

090 = 90 mm

...

410 = 410 mm

Motor index

To determine the desired motor index the appropriate table

"Electrical data, dimensions and weights" has to be used.

Example:

E = 0,55 kW

Power supply

01 = 230/400 V bei 50 Hz; 265/460 V bei 60Hz

05 = 230/400 V 50 Hz

Further designs on request.

Motor design

AA = standard to 0,55 kW (insulation class F, IP 54, 2-pole,)

BA = standard from 0,75 kW (insulation class F, IP 54, 2-pole,, IE2)

Further designs on request.

Order example: PRK0304PBS255G05BA

Series: **PRK**, frame size: **03**, 4 stages,, material: **P** POM plastic, seal: **B** gap bush, pump design: **S** standard design, immersion depth: **225** mm, motor index: **G** 0,75 kW, power supply: **05** 230/400 V 50 Hz;

Motor design: **BA** standard (IE2)

PRK

PSR – Immersion pumps, sealless

Order key

PSR

	P	S	R																		
Series	Series			Frame size		Stages		Materials		Seal		Pump design		Immersion depth in mm		Motor index		Power supply		Motor design	
	<p>02 = 2 m³/h (nominal delivery rate)</p> <p>04 = 4 m³/h (nominal delivery rate)</p> <p>06 = 6 m³/h (nominal delivery rate)</p>			<p>To determine the desired number of stages the corresponding characteristics has to be used.</p> <p>01 = 1-stage</p> <p>...</p> <p>30 = 30-stages</p>		<p>G = gray cast iron (standard)</p> <p>C = GG with chemical surface sealing</p> <p>T = GG coated with paint</p>		<p>B = gap bush ($H_{max} < 150$ m)</p> <p>G = machanical seal ($H_{max} > 150$ m)</p>		<p>S = standard design</p> <p>V = bottom for extension tube</p> <p>C = bottom equipped with intake strainer</p>		<p>To determine the desired immersion depth the appropriate table "Electrical data, dimensions and weights" has to be used.</p> <p>122 = 122 mm</p> <p>...</p> <p>739 = 739 mm</p>		<p>To determine the desired motor index the appropriate table "Electrical data, dimensions and weights" has to be used. Example: E = 0,37 kW</p>		<p>01 = 230/400 V at 50 Hz (to 4 kW) 265/460 V at 60 Hz (to 4,6 kW)</p> <p>02 = Δ400 V at 50 Hz (from 5,5 kW) Δ460 V at 60 Hz (from 6,3 kW)</p> <p>05 = Standard for Europe 230/400 V at 50 Hz (from 4 kW) Δ400 V at 50 Hz (from 4 kW)</p> <p>... further designs on request</p>		<p>AA = standard to 0,55 kW (insulation class F, IP 54, 2-pole)</p> <p>BA = standard from 0,75 kW (insulation class F, IP 54, 2-pole, IE2)</p> <p>... further designs on request</p>		<p>Order example: PSR0218GBS481J01BA</p> <p>Series: PSR, Frame size: 02, 18-stages, Material: G grey cast iron, Seal: B gap bush, Pump design: S standard design, Immersion depth: 481 mm, Motor index: J 1,5 kW, Power supply: 01 230/400 V 50 Hz; 265/460 V 60Hz, Motor design: BA standard form 0,75 kW</p>	



PXA 10/18 – Immersion pumps, sealless

Order key

	P	X	A																
Series																			
Frame size																			
To determine the fram size the corresponding characteristics has to be used. 10, 18																			
Stages																			
To determine the desired number of stages the corresponding characteristics has to be used. 02 = 2-stages ... 20 = 20-stages																			
Materials																			
G = gray cast iron (standard)																			
Seal																			
B = gap bush G = machanical seal																			
Pump design																			
S = standard design V = bottom for extension tube C = bottom for intake strainer																			
Immersion depth in mm																			
To determine the desired immersion depth the appropriate table "Electrical data, dimensions and weights" has to be used. 194 = 194 mm ... 692 = 692 mm																			
Motor index																			
To determine the desired motor index the appropriate table "Electrical data, dimensions and weights" has to be used. Example: J = 1,5 kW																			
Power supply																			
01 = 230/400 V at 50 Hz (to 4 kW) 265/460 V at 60 Hz (to 4,6 kW) 02 = Δ400 V at 50 Hz (from 5,5 kW) Δ460 V at 60 Hz (from 6,3 kW) 05 = Standard for Europe 230/400 V at 50 Hz (from 4 kW) Δ400 V at 50 Hz (from 5,5 kW) ... further designs on request																			
Motor design																			
BA = standard (insulation class F, IP 54, 2-pole, IE2) ... further designs on request										CA = standard (insulation class F, IP 54, 2-pole, IE3) ... further designs on request									
Order example: PXA1009GBS383M05BA Series: PXA , Frame size: 10 , 09 -stages, Material: G grey cast iron, Seal: B gap bush, Pump design: S standard design, Immersion depth: 383 mm, Motor index: M 4,0 kW, Power supply: 05 230/400 V 50 Hz (< 4 kW), Motor design: CA Standard (IE3)																			

PXA

* All data and measurements refer to the IE3-motors.



PS/PSL – Immersion pumps, sealless

Order key

PS/PSL



Series

- PS-** = Standard design
- PSL** = "Slurp" for air-polluted liquids

Frame size

To determine the frame size the corresponding characteristics has to be used.

- 01, 03**

Stages

To determine the desired number of stages the corresponding characteristics has to be used.

- 01** = 1-stages
- ...
- 07** = 7-stages

Materials

- G** = gray cast iron (standard)

Seal

- B** = gap bush (standard)

Pump design

- S** = standard design
- V** = bottom for extension tube

Immersion depth in mm

- 250** = 250 mm
- ...
- 670** = 670 mm

Motor index

To determine the desired motor index the appropriate table "Electrical data, dimensions and weights" has to be used.

Example: **J** = 1,5 kW

Power supply

- 01** = 230/400 V at 50 Hz (to 4 kW)
265/460 V at 60 Hz (to 4,6 kW)
- 02** = Δ400 V at 50 Hz (from 5,5 kW)
Δ460 V at 60 Hz (from 6,3 kW)
- 05 = Standard for Europe**
230/400 V at 50 Hz (from 4 kW)
Δ400 V at 50 Hz (from 4 kW)
... further designs on request

Motor design

- BA** = standard (insulation class F, IP 54, 2-pole, IE2)
... further designs on request

Order example: PS-0104GBS460M01BA

Series: **PS**, Frame size: **01, 04**-stages, Material: **G** grey cast iron, Seal: **B** gap bush, Pump design: **S** standard design, Immersion depth: **460** mm, Motor index: **M** 4,0 kW, Power supply: **01** 230/400 V 50 Hz, 265/460 V 60 Hz, Motor design: **BA** standard (IE2)

PMS – Immersion pumps, sealless

Order key

	P	M	S																
Series	PMS																		
Frame size																			
To determine the fram size the corresponding characteristics has to be used. 05, 06, 08, 10, 25, 30, 40																			
Stages																			
To determine the desired number of stages the corresponding characteristics has to be used. 01 = 1-stage ... 04 = 4-stages																			
Materials																			
P = plastic (Standard) G = gray cast iron																			
Seal																			
B = gap bush																			
Pump design																			
S = standard design V = bottom for extension tube																			
Immersion depth in mm																			
To determine the desired immersion depth the appropriate table "Electrical data, dimensions and weights" has to be used. 90 = 90 mm ... 560 = 560 mm																			
Motor index																			
To determine the desired motor index the appropriate table "Electrical data, dimensions and weights" has to be used. Example: H = 1,1 kW																			
Power supply																			
01 = 230/400 V at 50 Hz 265/460 V at 60 Hz 05 = Standard für Europa 230/400 V at 50 Hz ... further designs on request																			
Motor design																			
AA = standard up to 0,55 kW (insulation class F, IP 54, 2-pole) BA = standard from 0,75 kW (insulation class F, IP 54, 2-pole, IE2) ... further designs on request																			
Order example: PMS4001GBS280J01BA Series: PMS , Frame size: 40 , 01 -stage, Material: G grey cast iron, Seal: B gap bush, Pump design: S standard design, Immersion depth: 280 mm, Motor index: J 1,5 kW, Power supply: 01 230/400 V at 50 Hz, 265/460 V at 60 Hz, Motor design: BA Standard (IE2)																			

PMS

* All data and measurements refer to the IE2-motors.

PSH – Immersion pumps, sealless

Order key

	P	S	H															
Series																		
Frame size																		
<p>To determine the desired frame size the corresponding characteristics has to be used.</p> <p>60 = max. 600 l/min 95 = max. 950 l/min 80 = max. 800 l/min 00 = max. 1000 l/min 85 = max. 850 l/min</p>																		
Stages																		
<p>To determine the desired number of stages the corresponding characteristics has to be used.</p> <p>01 = 1 stages 02 = 2 stages</p>																		
Materials																		
<p>G = gray cast iron (standard)</p>																		
Seal																		
<p>O = sealless (standard)</p>																		
Pump design																		
<p>S = standard design</p>																		
Immersion depth in mm																		
<p>300 = 300 mm ... 550 = 550 mm</p>																		
Motor index																		
<p>To determine the desired motor index the appropriate table "Electrical data, dimensions and weights" has to be used. Example: L = 3,0 kW</p>																		
Power supply																		
<p>01 = 230/400 V at 50 Hz (to 4 kW) 265/460 V at 60 Hz (to 4,6 kW) 02 = Δ400 V at 50 Hz (from 5,5 kW) Δ460 V at 60 Hz (from 6,3 kW) 05 = Standard for Europe 230/400 V at 50 Hz (from 4 kW) Δ400 V at 50 Hz (from 4 kW)</p> <p>... further designs on request</p>																		
Motor design																		
<p>BA = standard (insulation class F, IP 54, 2-pole, IE2) Further designs on request.</p>																		
<p>Order example: PSH8501GOS550N02BA Series: PSH, Frame size: 85, 01 stage, Material: G grey cast iron, Seal: O gap bush, Pump design: S standard design, Immersion depth: 550 mm, Motor index: N 5,5 kW, Power supply: 02 Δ400 V 50 Hz, Δ460 V 60 Hz, Motor design: BA Standard (IE2)</p>																		

The contents of this publication are the copyright of the publisher and may not be reproduced (even extracts) unless permission is granted. Every care has been taken to ensure the accuracy of the information contained in this publication but no liability can be accepted for any loss or damage whether direct, indirect or consequential arising out of use of the information contained herein.

SKF Lubrication Systems Germany GmbH
Product department Spandau Pumps

Motzener Strasse 35/37 · 12277 Berlin · Germany
PF 970444 · 12704 Berlin · Germany
Tel. +49 (0)30 72002 0 · Fax +49 (0)30 72002 261
SpandauPumpen@skf.com
www.spandaupumpen.com

This brochure was presented by: